



FOCUS ON

A SAMSON & KROHNE COMPANY

QUICK START GUIDE

FOCUS-1 INSTALLATION AND INITIAL START-UP

DEVICE VARIATIONS

	Flange size	Pressure Class
ANSI	2", 3", 4"	300
		150
DIN	DN 50, DN 80 DN 100	PN16
		PN40

SIGNAL INPUT AND OUTPUT

4-20mA HART IN
4-20mA OUT

REQUIRED TOOLS

		SIZE 5
		SIZE 6

		SIZE 15
		SIZE 24

MORE INFO ON DEVICE

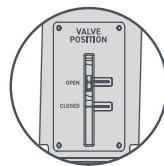


USER MANUAL

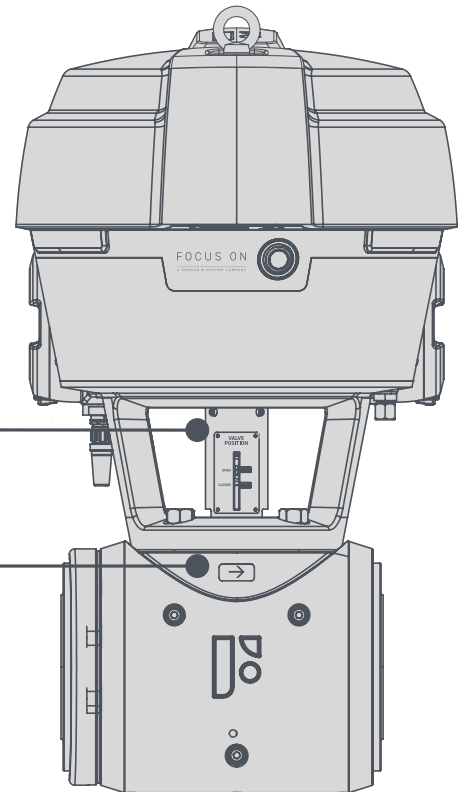
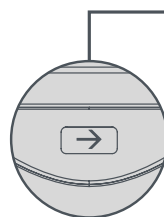


CERTIFICATIONS

DEVICE POSITIONER



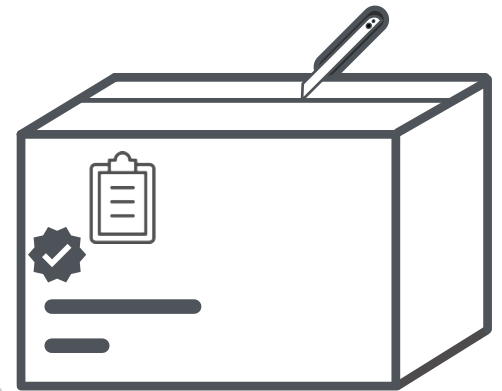
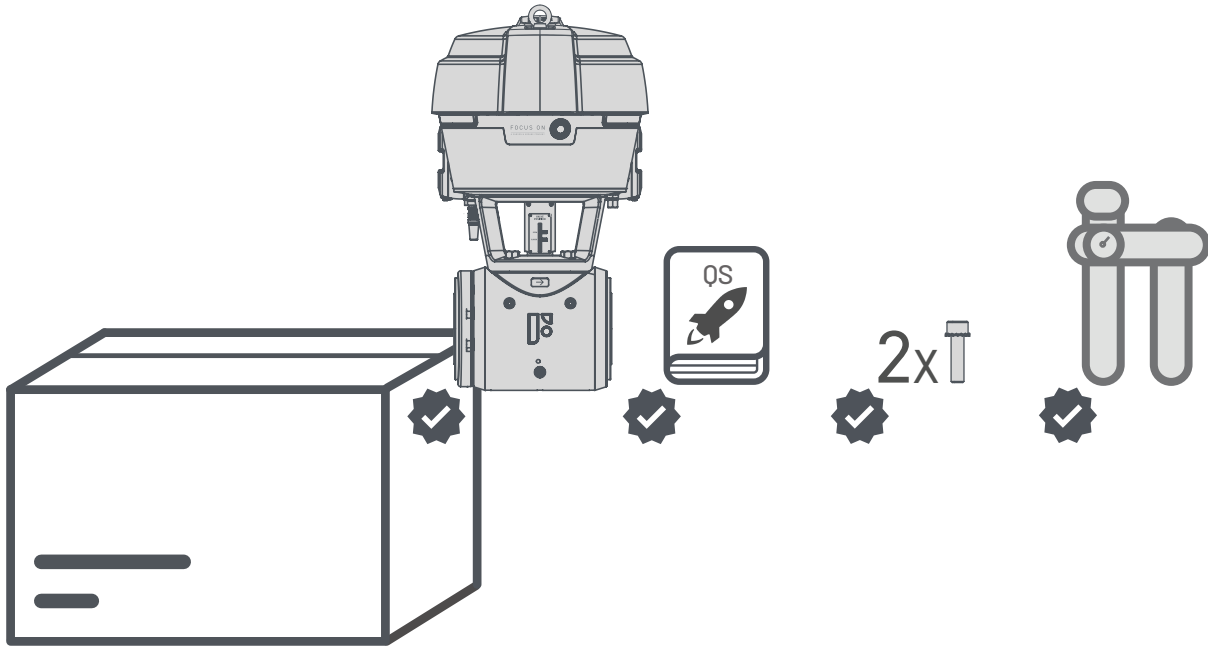
FLOW DIRECTION



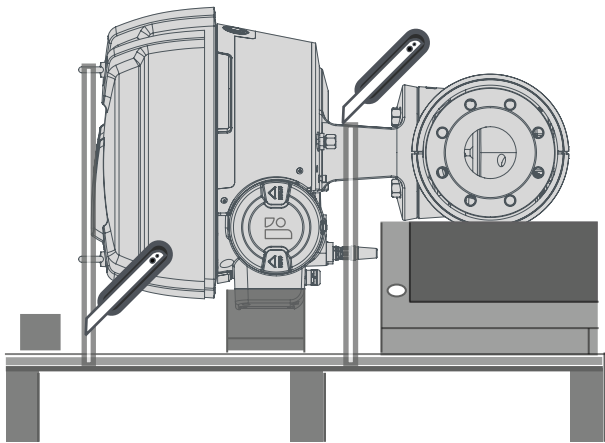
TD-024(4)
HW_V-3.1

UNBOXING

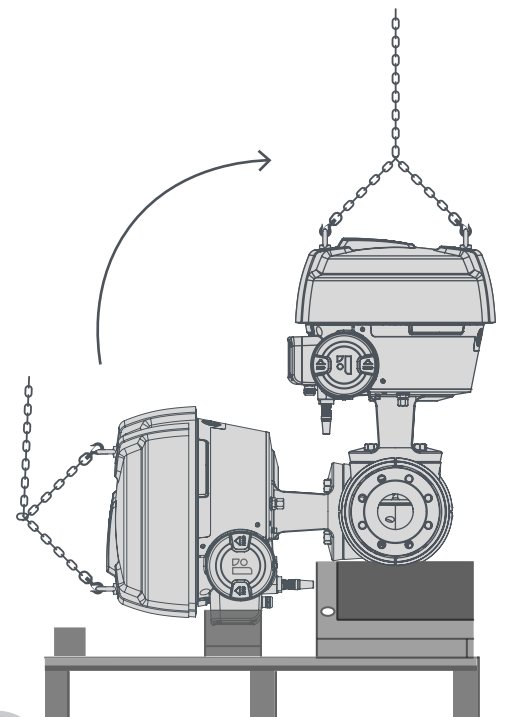
WHAT'S IN THE BOX AND DEVICE PRE-INSTALLATION



1



2



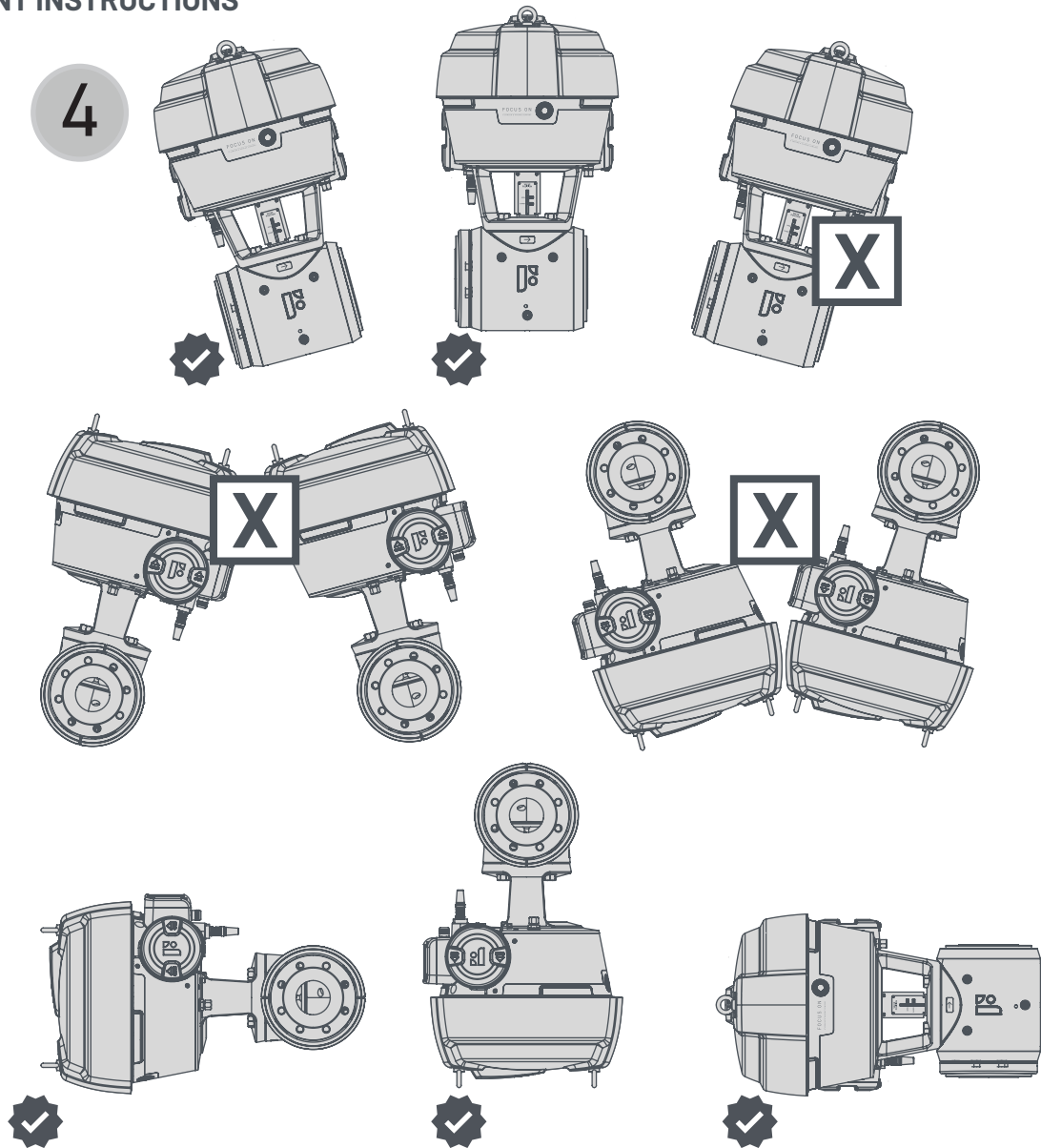
3

1

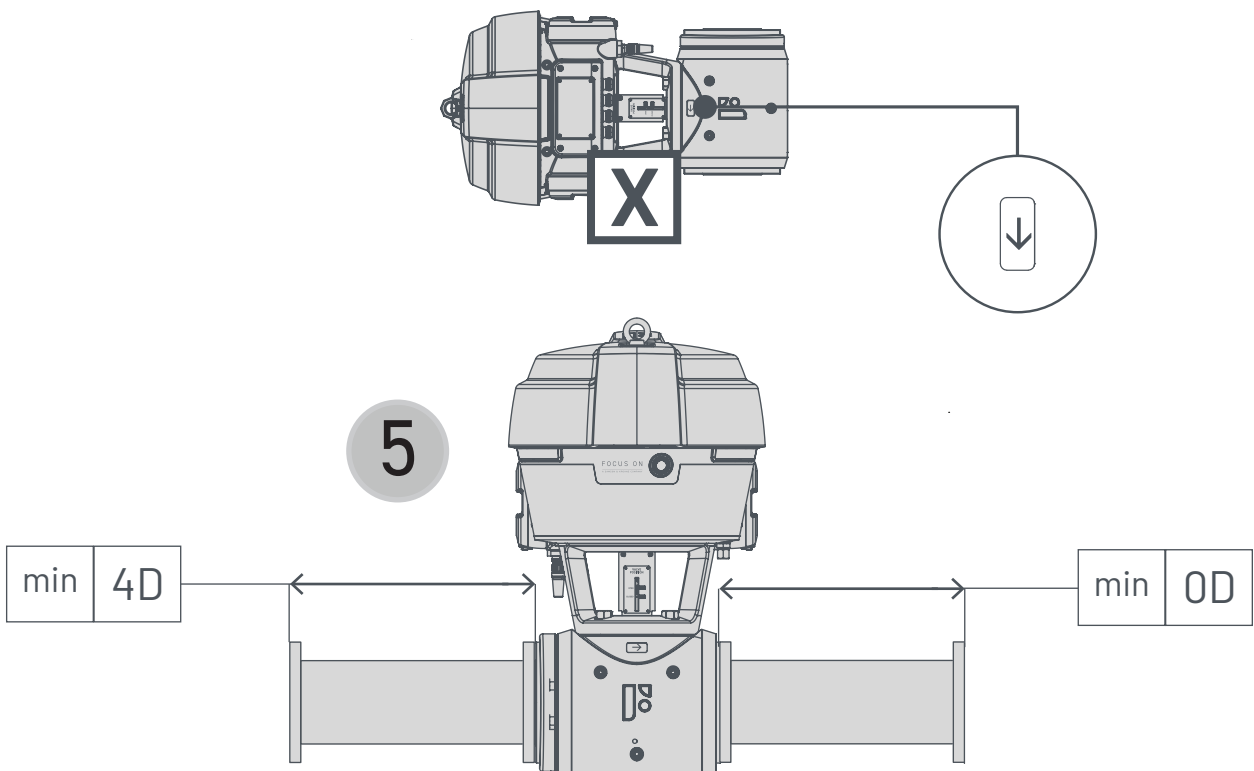
MECHANICAL INSTALLATION
PLACEMENT INSTRUCTIONS



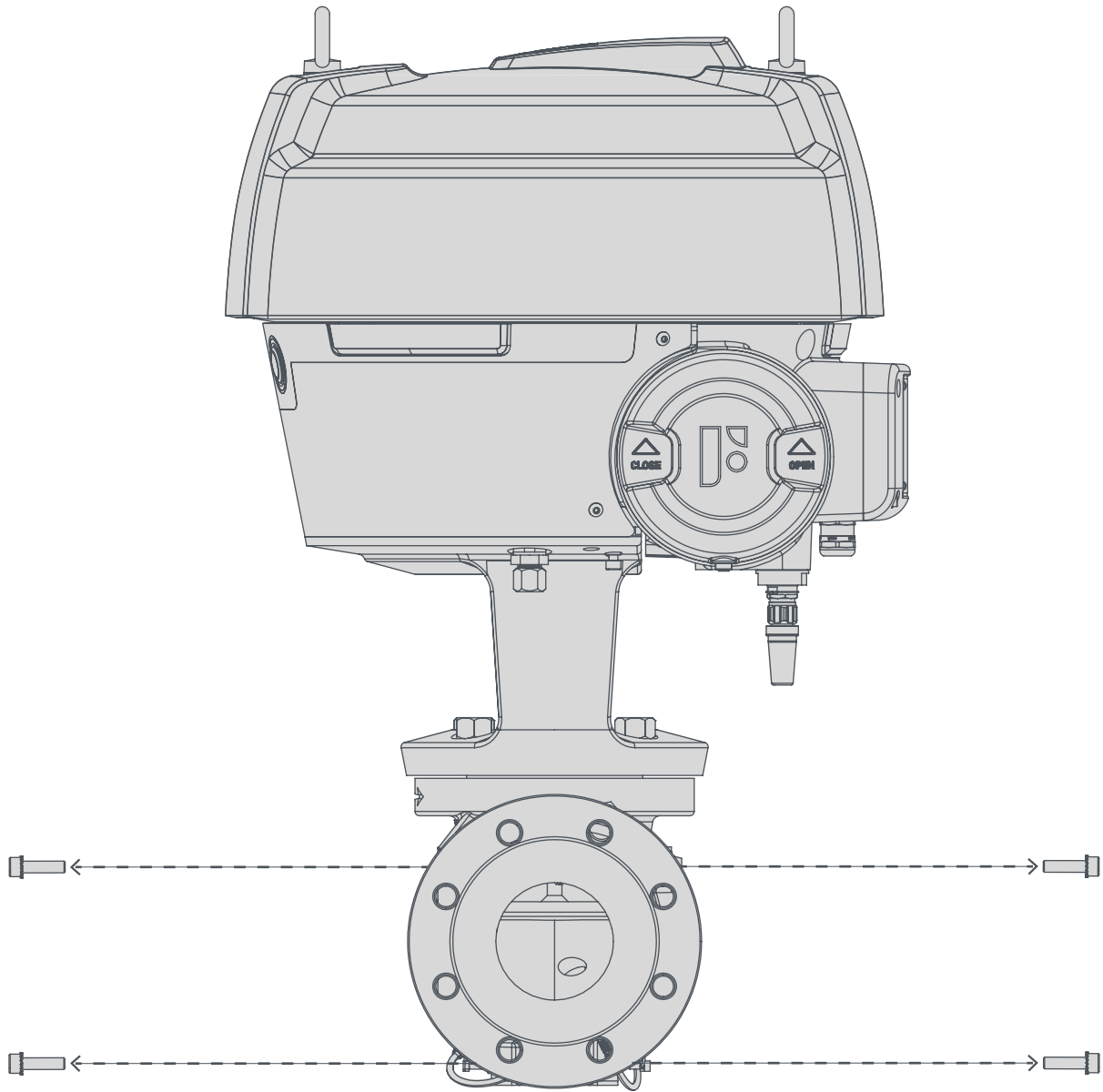
4



5



MECHANICAL INSTALLATION
COVER REMOVAL

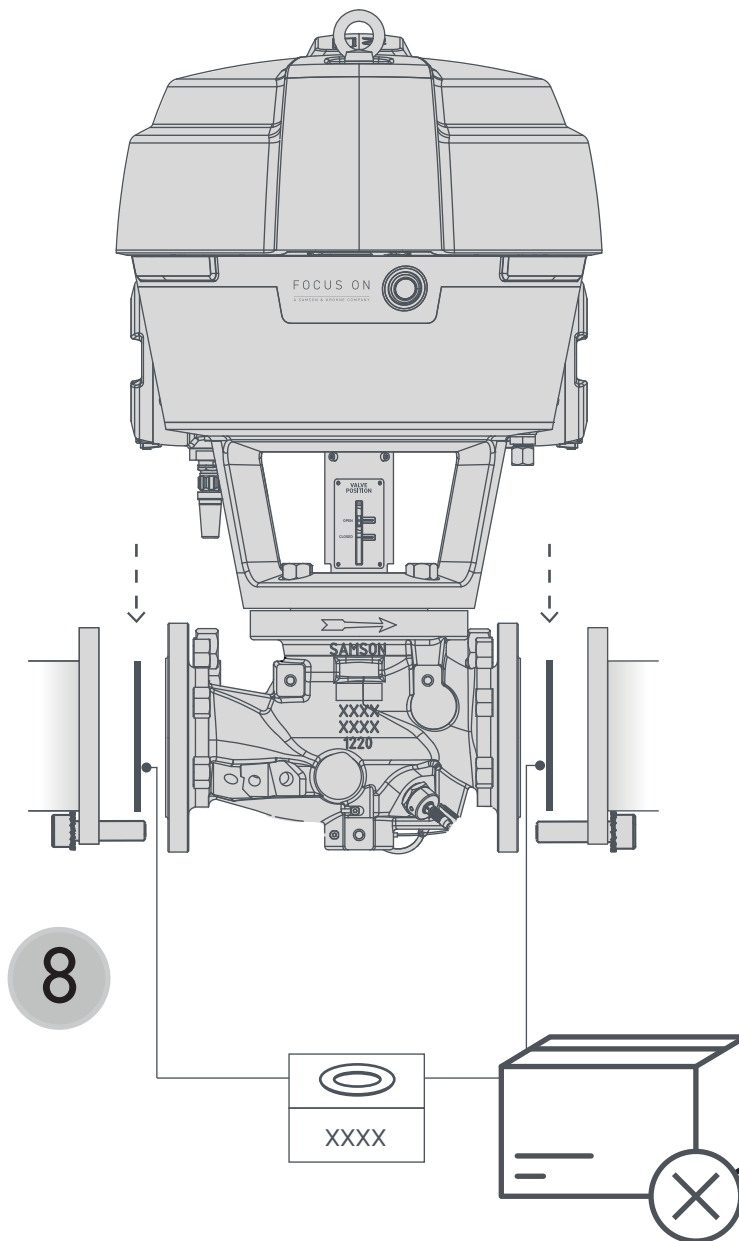
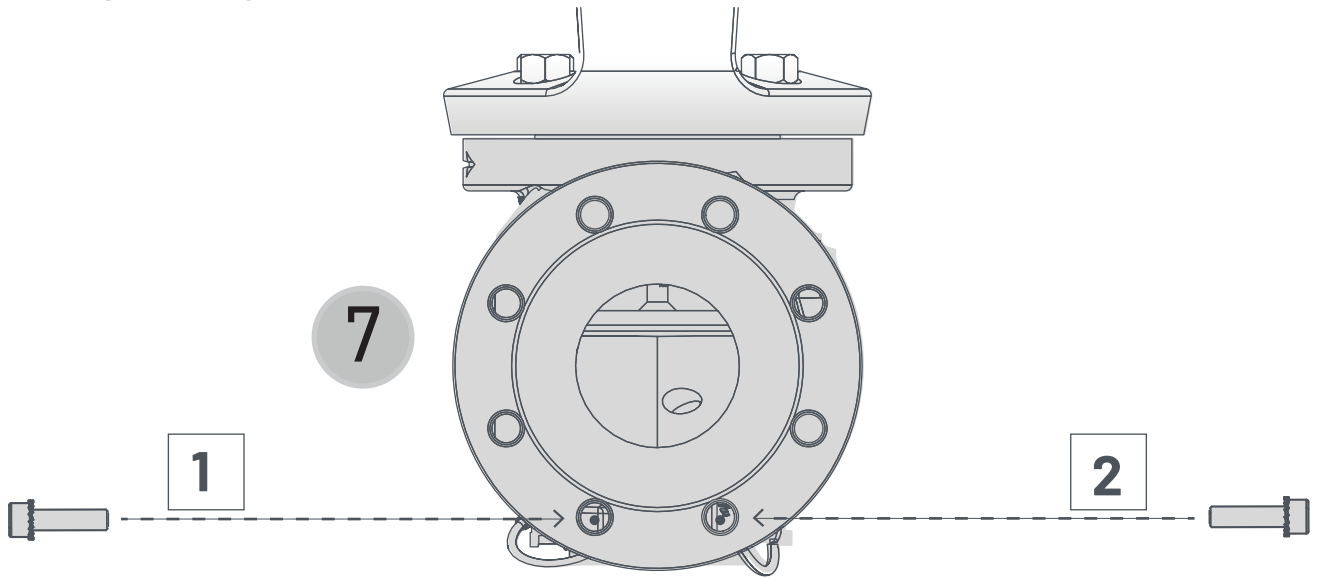


6

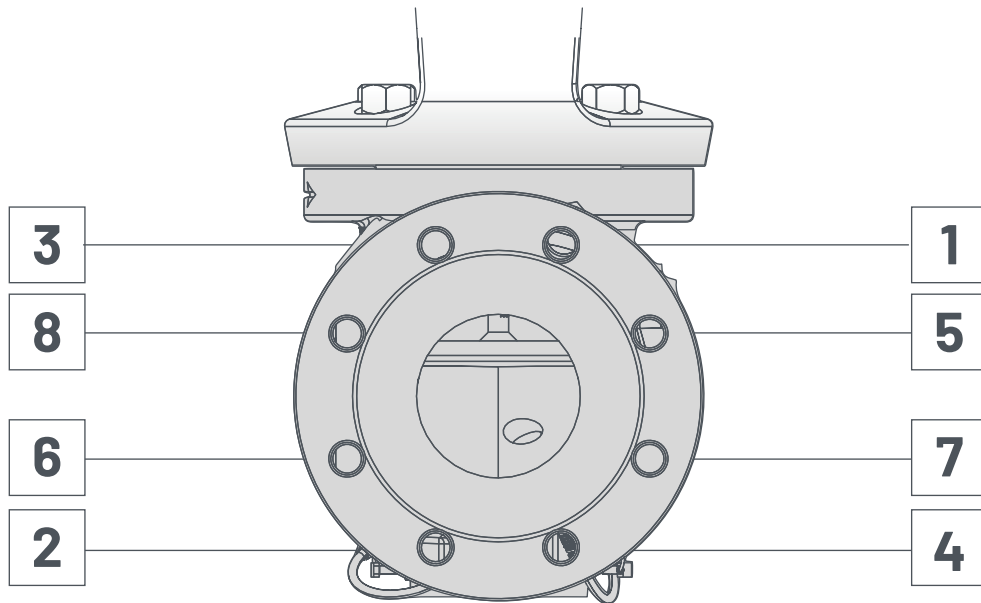


	SIZE 6
6X	M8 X30

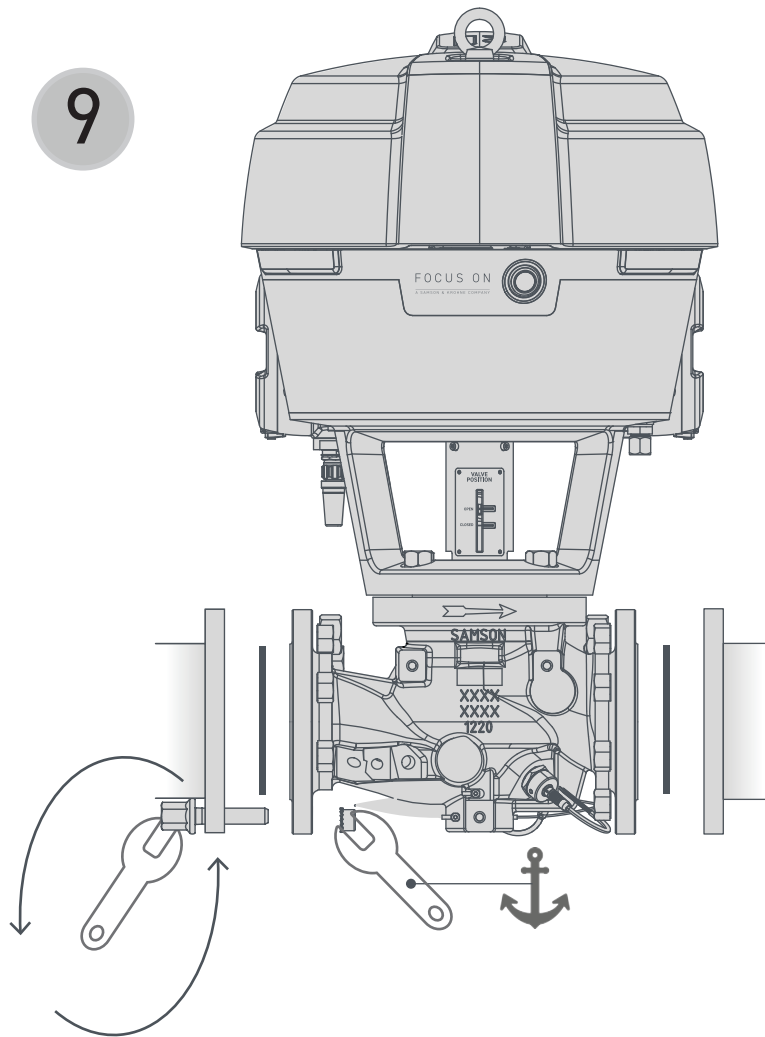
MECHANICAL INSTALLATION
GASKET INSTALLATION



MECHANICAL INSTALLATION
FASTENING SEQUENCE INSTRUCTIONS



9

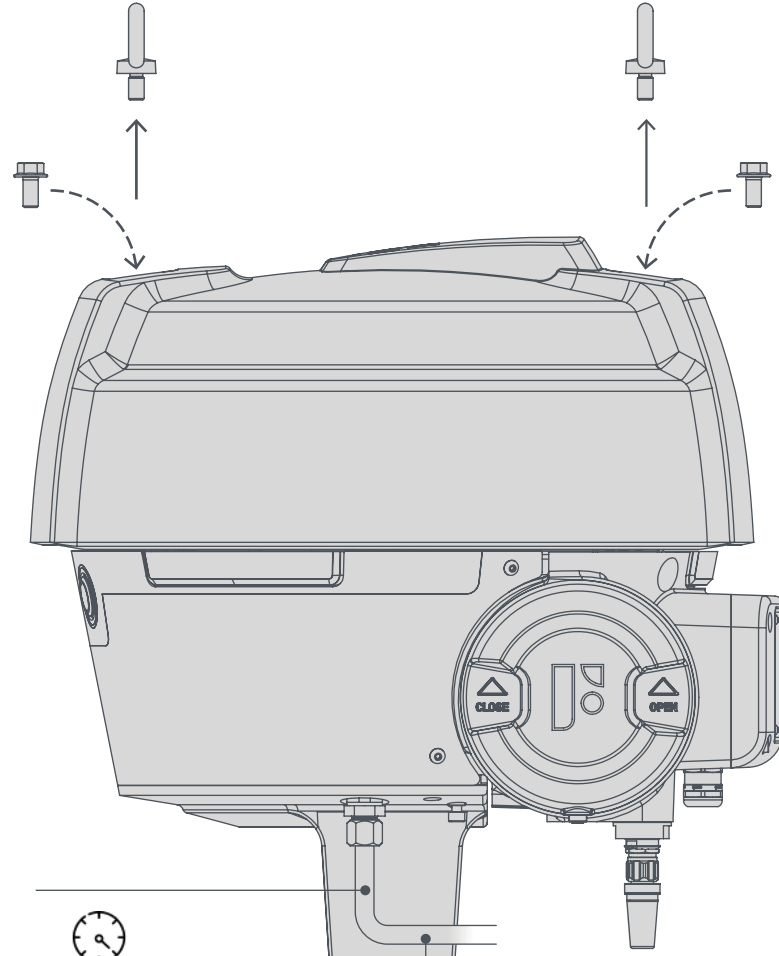


	SIZE 24
2X	

MECHANICAL INSTALLATION
COVER FIXATION & AIR SUPPLY

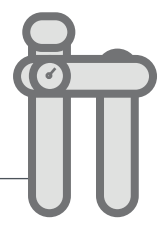


12

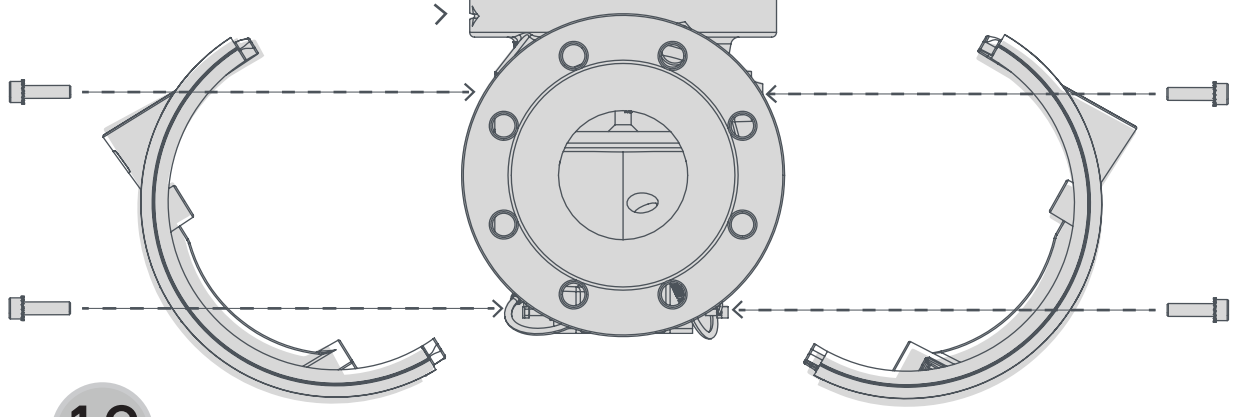


pneumatic connection

11



10



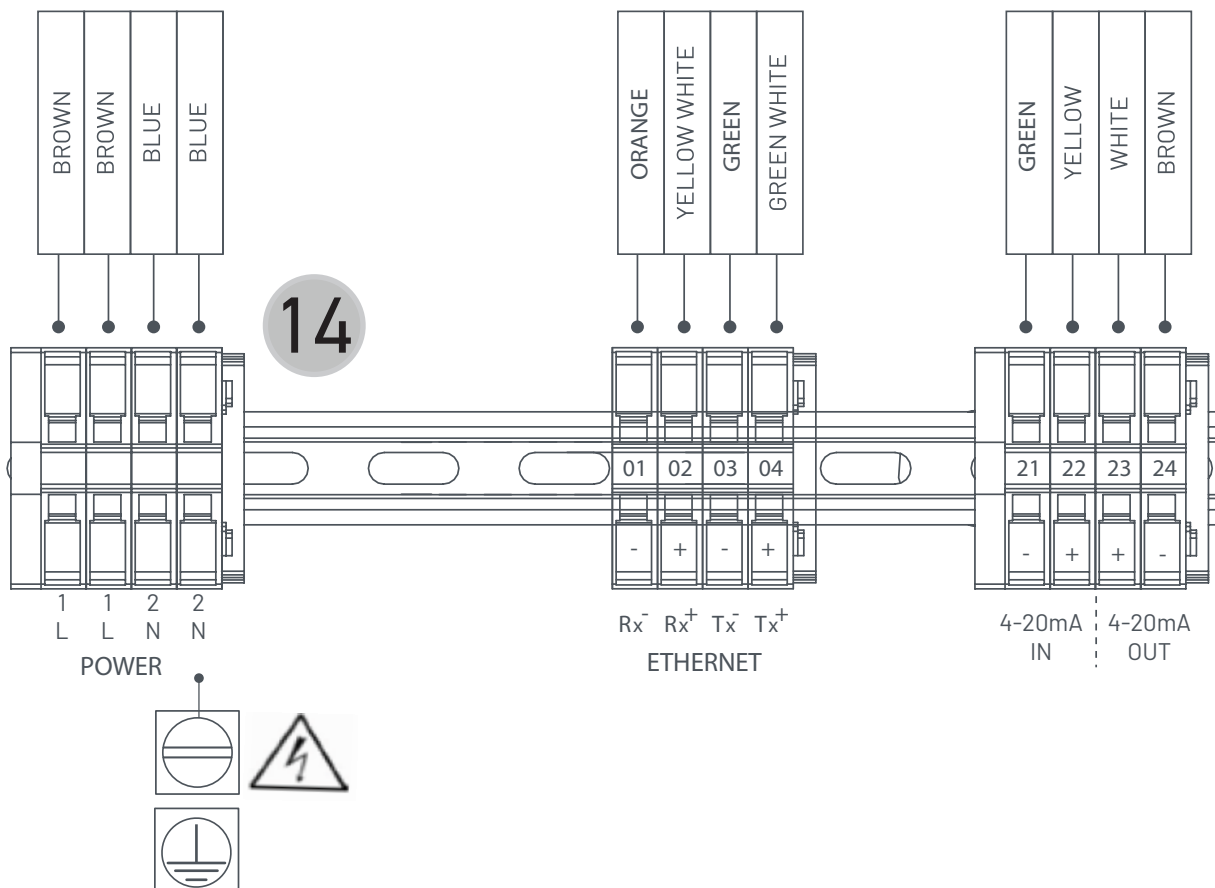
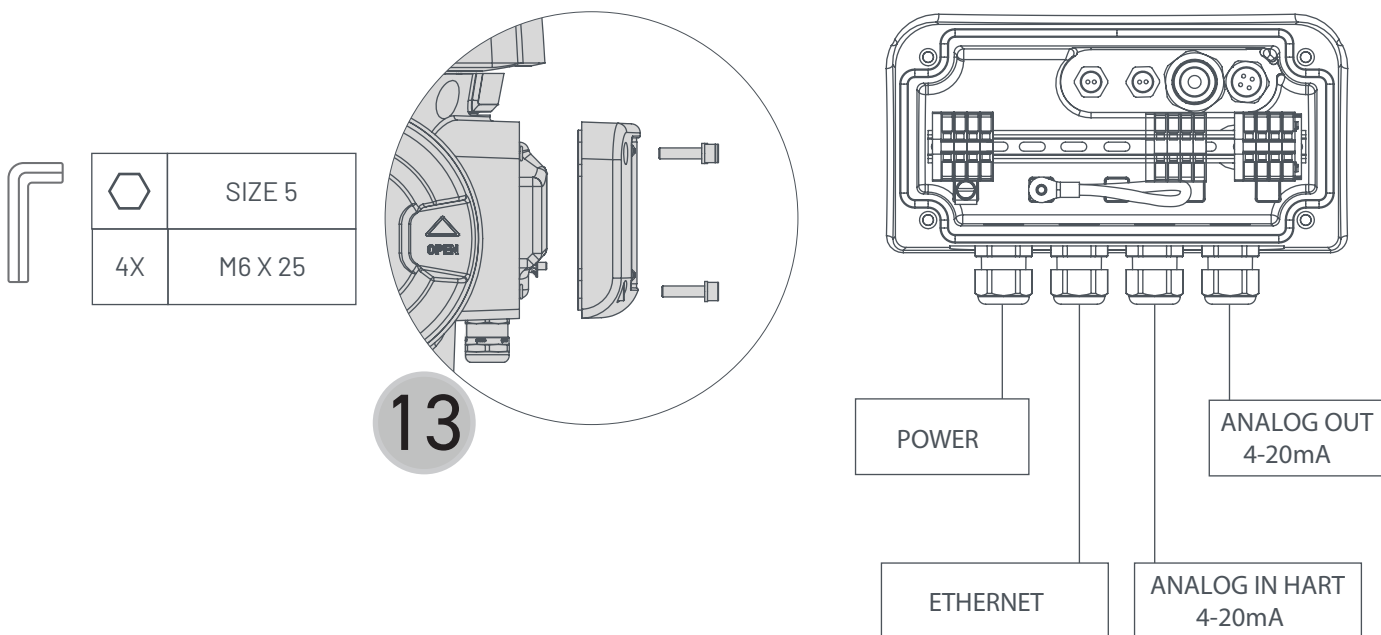
	SIZE 6
6X	M8 X30



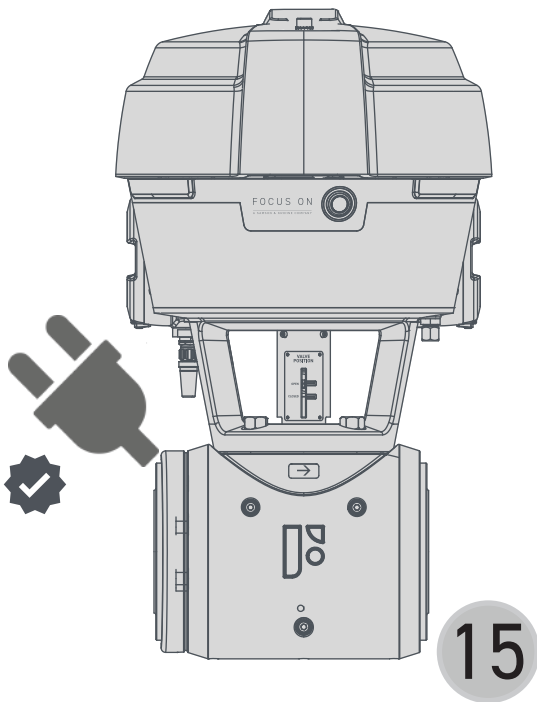
	SIZE 15
2X	M10 X20

ELECTRIC INSTALLATION

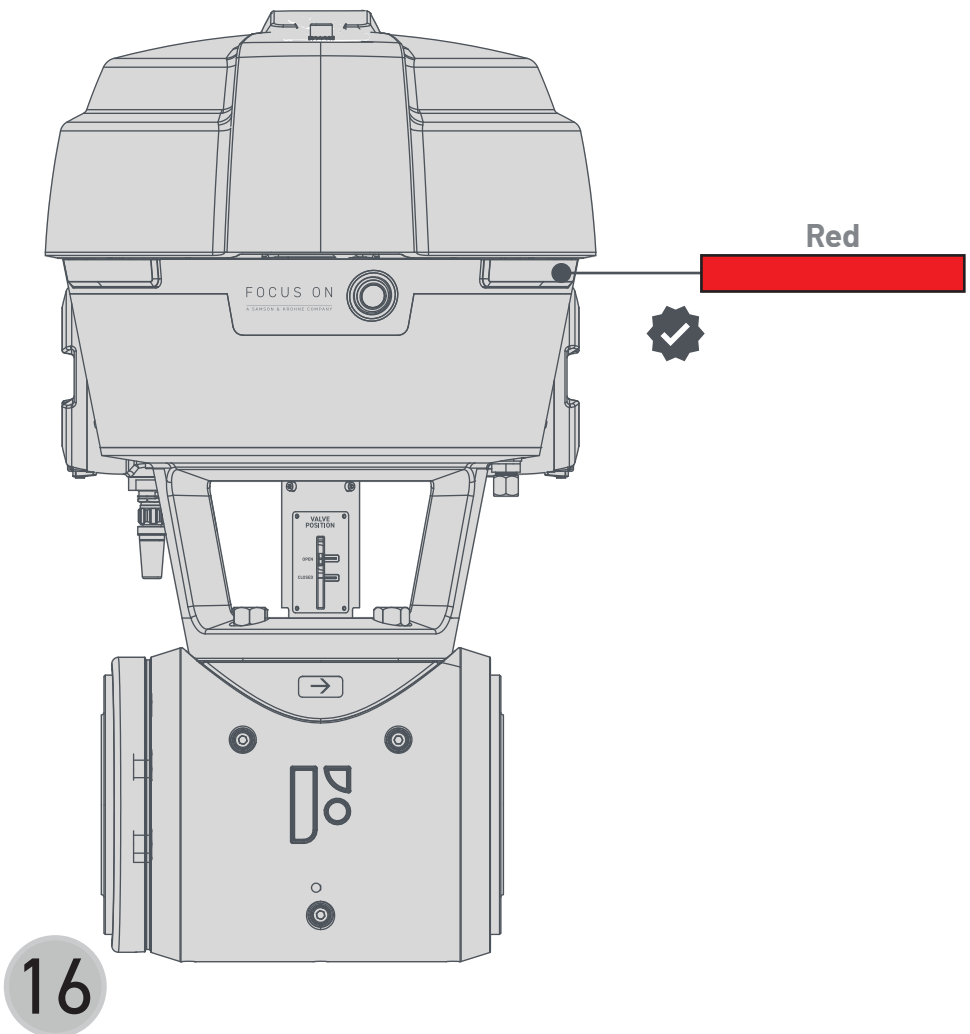
CABLE CONNECTIONS



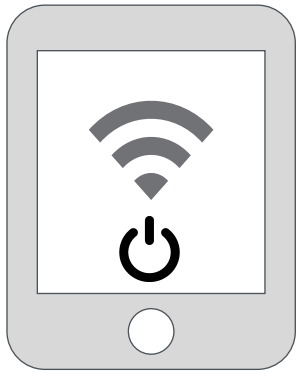
PROCESS INSTALLATION & DCS CONNECTION
PLUG-IN AND INITIATE CONNECTION



5 min. after every start-up

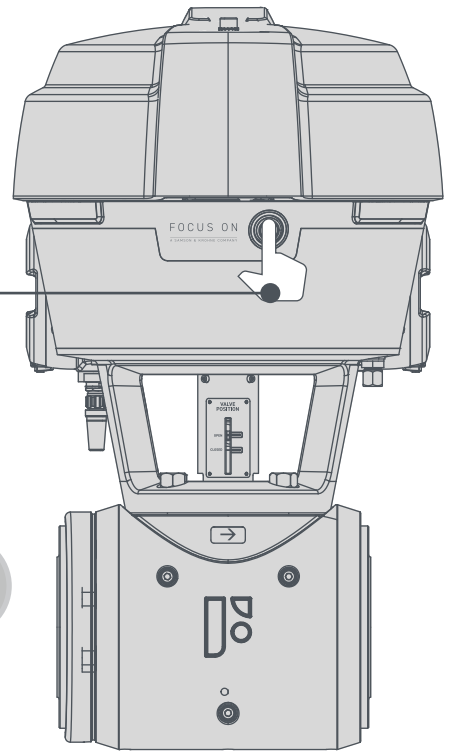


PROCESS INSTALLATION & DCS CONNECTION
ACTIVATE WIFI & PRESS THE DEVICE BUTTON

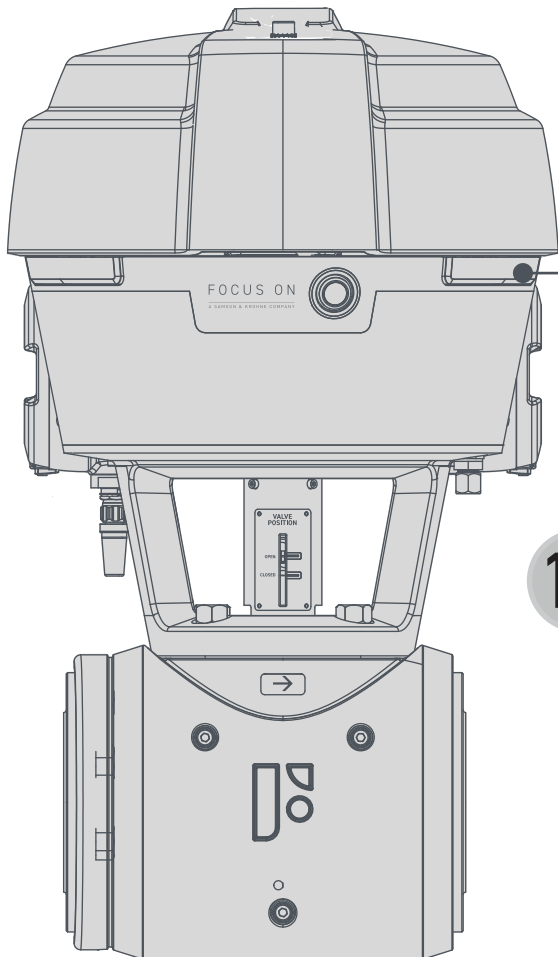


17

hold 3 seconds



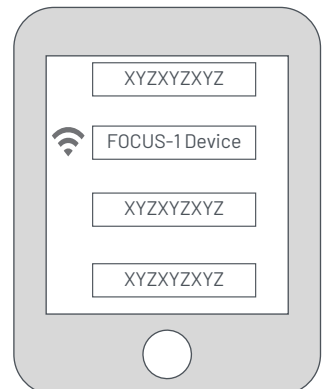
18



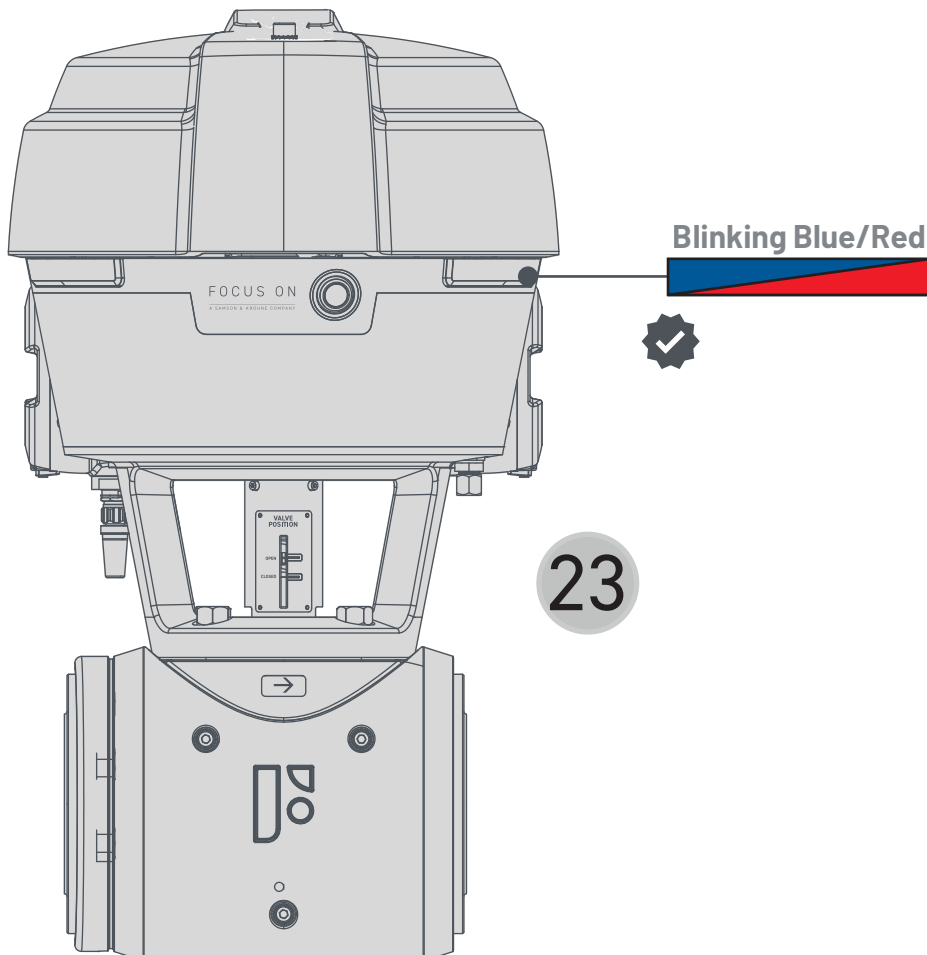
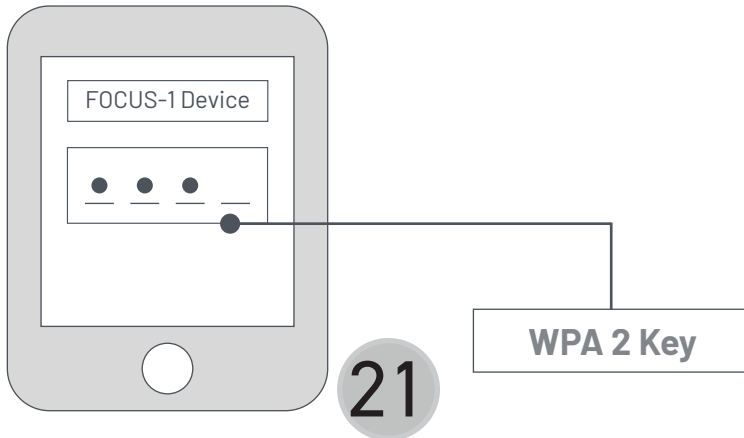
19

Blinking Blue

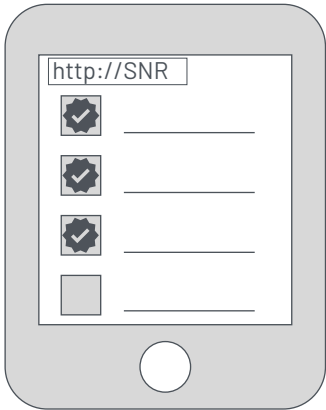
20



PROCESS INSTALLATION & DCS CONNECTION
FIND FOCUS-1 & ESTABLISH CONNECTION



PROCESS INSTALLATION & DCS CONNECTION
FILL OUT PROCESS REQUIREMENTS



24

