

SOLUTIONS FOR THE OIL AND GAS INDUSTRY



Upstream – Midstream – Downstream

SMART IN FLOW CONTROL

OIL AND GAS PRODUCTS



SAMSON

AIR TORQUE · CERA SYSTEM · FOCUS-ON · LEUSCH
PFEIFFER · PRECOGNIZE · RINGO · SED · STARLINE · VETEC

Valves

- Control and on/off valves used extensively in the most demanding conditions
- Suitable for extreme pressures and temperatures in severe service
- Designs include globe, ball, butterfly and rotary plug valves

Actuators

- Solutions for pneumatic, hydraulic and gas-over-oil applications
- Designs include scotch yoke, rack-and-pinion and linear actuators
- Available in a wide variety of materials suitable for use in demanding applications

Smart Devices

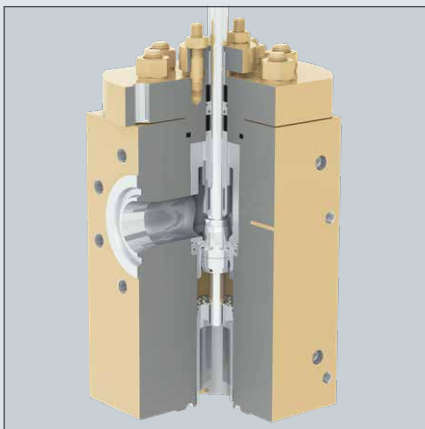
- Digital positioners for linear and rotary valves that work in extreme conditions
- Available for both HART® and FOUNDATION™ fieldbus communication
- Easy operation with state-of-the-art valve diagnostics

UPSTREAM



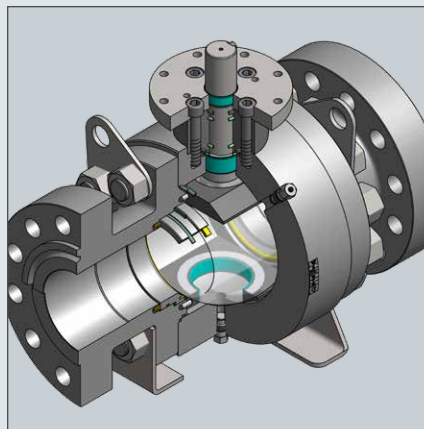
Choke Valves

- Adjustable chokes for handling high-pressure drops, sour gas, multi-phase flows and J-T conditions
- Certified according to API 6A with quality levels from PSL 1 to 4 available
- For use up to working pressures of 15,000 psi and with multi-stage trim solutions



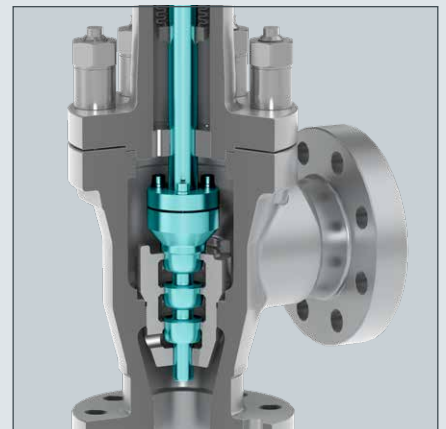
API Ball Valves

- Forged steel ball valves in carbon, stainless, duplex and special alloys, designed in accordance with API 6A and 6D
- Soft- and metal-seated solutions from cryogenic to high temperature service
- Manual and actuated (pneumatic, hydraulic, electric, gas-over-oil, HIPPS) solutions



Control Valves

- Dirt-insensitive trim designs for critical control applications with high pressure drops
- Wide range of anti-cavitation, noise reduction and anti-erosion trims available
- Successfully used in oil and gas processing plants, EOR processes

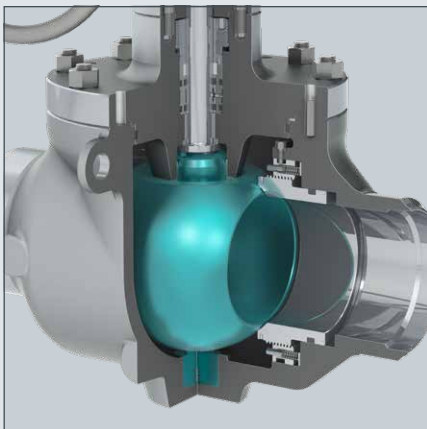


MIDSTREAM



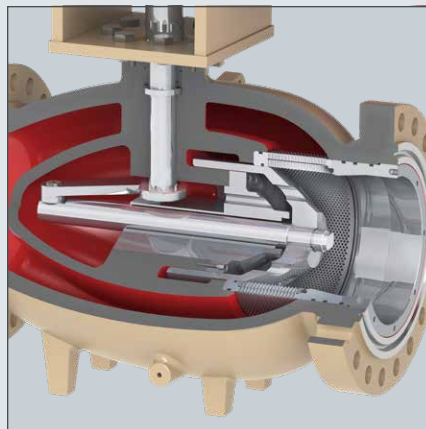
Actuated Valves

- Pneumatic, hydraulic or gas-over-oil actuated valves providing reliable shut-off
- Fully welded valves up to NPS 60 for gas transmission lines
- Top-entry design available to facilitate simplified in-line valve maintenance



Axial Flow Valves

- Solutions for critical safety applications, such as anti-surge valves, HIPPS
- High-capacity valves with rotary-to-linear drive mechanism to reduce actuator size
- Fast response with minimal dead band compared to other commonly used designs



Cryogenic Valves

- Used in cold-box applications for natural gas liquefaction, LNG transport and regasification
- Top-entry design for easy maintenance
- Globe, butterfly, eccentric plug and ball valve designs available for cryogenic service



DOWNSTREAM



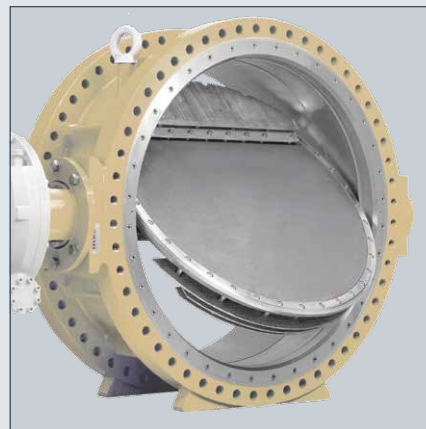
Eccentric Plug Valves

- Double-offset design eliminates friction, reduces torque and ensures precise control
- Unobstructed flow path when open, less flow turbulence, high turndown ratio and less wear on the internal parts
- Perfect solution for viscous flows and flows containing solid particles, such as slurries



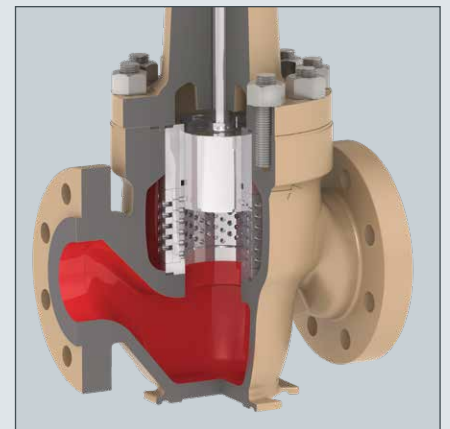
Butterfly Valves

- High-performance double- and triple-offset designs achieve tight shut-off with soft or metal seals
- Used in fast-closing applications with low-noise trims to achieve high efficiency and stability
- Well suited for high-cycle and high-temperature applications

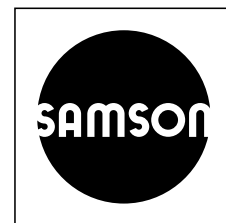


Globe Control Valves

- Wide variety of flow control valves in sizes from NPS ½ to 32
- Severe service solutions for challenging flow conditions, such as two-phase flows, flashing and cavitation
- Metal bellows for hazardous media to prevent fugitive emissions



SAMSON AT A GLANCE



STAFF

- Worldwide 4,500
- Europe 3,600
- Asia 700
- Americas 200
- Frankfurt am Main, Germany 1,800

INDUSTRIES AND APPLICATIONS

- Chemicals and petrochemicals
- Food and beverages
- Pharmaceuticals and biotechnology
- Oil and gas
- Liquefied Natural Gas (LNG)
- Marine equipment
- Power and energy
- Industrial gases
- Cryogenic applications
- District energy and building automation
- Metallurgy and mining
- Pulp and paper
- Water technology
- Other industries

PRODUCTS

- Valves
- Self-operated regulators
- Actuators
- Positioners and valve accessories
- Signal converters
- Controllers and automation systems
- Sensors and thermostats
- Digital solutions

SALES SITES

- More than 60 subsidiaries
in over 40 countries
- More than 200 representatives

PRODUCTION SITES

- SAMSON Germany, Frankfurt, established in 1916
Total plot and production area: 150,000 m²
- SAMSON France, Lyon, established in 1962
Total plot and production area: 23,400 m²
- SAMSON Turkey, Istanbul, established in 1984
Total plot and production area: 11,100 m²
- SAMSON USA, Baytown, TX, established in 1992
Total plot and production area: 20,000 m²
- SAMSON China, Beijing, established in 1998
Total plot and production area: 47,000 m²
- SAMSON India, Pune district, established in 1999
Total plot and production area: 28,000 m²
- SAMSON AIR TORQUE, Bergamo, Italy
Total plot and production area: 27,000 m²
- SAMSON CERA SYSTEM, Hermsdorf, Germany
Total plot and production area: 14,700 m²
- SAMSON KT-ELEKTRONIK, Berlin, Germany
Total plot and production area: 1,100 m²
- SAMSON LEUSCH, Neuss, Germany
Total plot and production area: 18,400 m²
- SAMSON PFEIFFER, Kempen, Germany
Total plot and production area: 20,300 m²
- SAMSON RINGO, Zaragoza, Spain
Total plot and production area: 19,000 m²
- SAMSON SED, Bad Rappenau, Germany
Total plot and production area: 10,400 m²
- SAMSON STARLINE, Bergamo, Italy
Total plot and production area: 27,000 m²
- SAMSON VDH PRODUCTS, the Netherlands
Total plot and production area: 12,000 m²
- SAMSON VETEC, Speyer, Germany
Total plot and production area: 27,100 m²

SAMSON AKTIENGESELLSCHAFT

Weismuellerstrasse 3 · 60314 Frankfurt am Main, Germany
Phone: +49 69 4009-0 · Fax: +49 69 4009-1507
E-mail: samson@samsongroup.com
Internet: www.samsongroup.com