

## Application

Integration of analog devices into AS-Interface · Conversion of AS-Interface data into a 4 to 20 mA signal

The Type 6150 AS-Interface Module converts AS-Interface data into an analog 4 to 20 mA signal. In this way, analog devices, such as control valves or positioners, can be easily integrated into an AS-Interface network. The devices merely need a connecting base that corresponds to DIN EN 175301-803. Devices without such a base can possibly be adapted (see Installation).

## Installation

For attachment to devices with a connector according to DIN EN 175301-803, simply plug on the Type 6150 AS-Interface Module. Connection to the AS-Interface module is established using a cable socket according to DIN EN 175301-803.

For devices without device connector and cable socket according to DIN EN 175301-803, the M20x1.5 cable gland is replaced by a device connector to install the AS-Interface module.

The AS-Interface module can be used with the following SAMSON devices:

**Table 1:** Application

SAMSON device	Device connector according to DIN EN ...	
	Replaces the M20x1.5 cable gland	Already exists
<b>Positioners</b>		
Type 3725	● <sup>3)</sup>	
Types 3730-0/-1/-2	● <sup>3)</sup>	
Type 3760	● <sup>3)</sup>	
Type 3761	● <sup>3)</sup>	
Type 3767	● <sup>3)</sup>	
Type 4763	● <sup>3)</sup>	
<b>Series V2001 Valves with Type 3372 Electropneumatic Actuators</b>		
Type 3321-IP		● <sup>2)</sup>
Type 3323-IP		● <sup>2)</sup>
Type 3531-IP		● <sup>2)</sup>
Type 3535-IP		● <sup>2)</sup>
<b>i/p converters</b>		
Type 6111		● <sup>1)</sup>
Type 6116	● <sup>3)</sup>	
Type 6126		●

<sup>1)</sup> Type 6111 i/p Converter in version with male angle connector

<sup>2)</sup> Series V2001 Valves in version with integrated positioner and plug connector

<sup>3)</sup> 6150-0300 version of AS-Interface module required

## Function

An analog end device connected to the Type 6150 AS-Interface Module forms an AS-Interface slave. The AS-Interface master assigns an address to this slave.



**Fig. 1:** Type 3372 Electropneumatic Actuator with Type 6150 AS-Interface Module

Certain errors are indicated on-site as specified by AS-Interface Specification 2.1. The Type 6150 AS-Interface Module has a green and a red LED to indicate the following states:

Green LED on: Power supply connected

Red LED blinking: Device not connected or the data in the EEPROM are not available or incorrect

Red LED on: No communication with the AS-Interface master (faulty wiring)

Table 2: Technical data	
Input	AS-Interface according to specification 2.1
Output	4 to 20 mA
Resolution	0.025 mA/step
Total current output	2 to 22 mA
Permissible load	300 Ω
Output	Short-circuit protection
Power supply	According to AS-Interface Specification (26.5 to 31.6 V DC)
Total current consumption from AS-Interface network	Max. 30 mA
<b>Display</b>	
Green LED on	Power supply connected
Red LED blinking	Device not connected or the data in the EEPROM are not available or incorrect
Red LED on	No communication with the AS-Interface master (faulty wiring)
AS-i profile	S 7.3
I/O configuration	7 hex
ID code	3
Temperature range (operation)	- 10 to + 60 °C
Degree of protection (when mounted)	IP 65
Noise emission	EN 50081 Part 1
Noise immunity	EN 50081 Part 2
Electrical connection	According to DIN EN 175301-803
Housing material	Polyamide

### Electrical connection

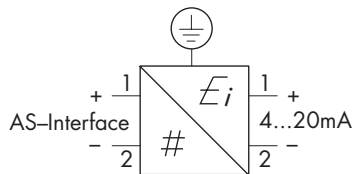


Fig. 2: Electrical connection

### Ordering data

Complete order number as required

Order no.	Type 6150 -	...	...	...	...
<b>Explosion protection</b>	Without	0			
	Module with seal and M3 x 60 screw	1			
	Module with cable socket, seal and M3 x 60 screw	2			
<b>Version</b>	Module with cable socket, M20x1.5 device connector, seal and M3 x 60 screw	3			
	Module with cable socket, device connector according to DIN EN 175301-803, seal and M3 x 60 screw	4			
<b>Signal</b>	Input: AS-Interface data · Output: 4 to 20 mA	0			
<b>Profile</b>	AS-i S7.3	0			

### Dimensions

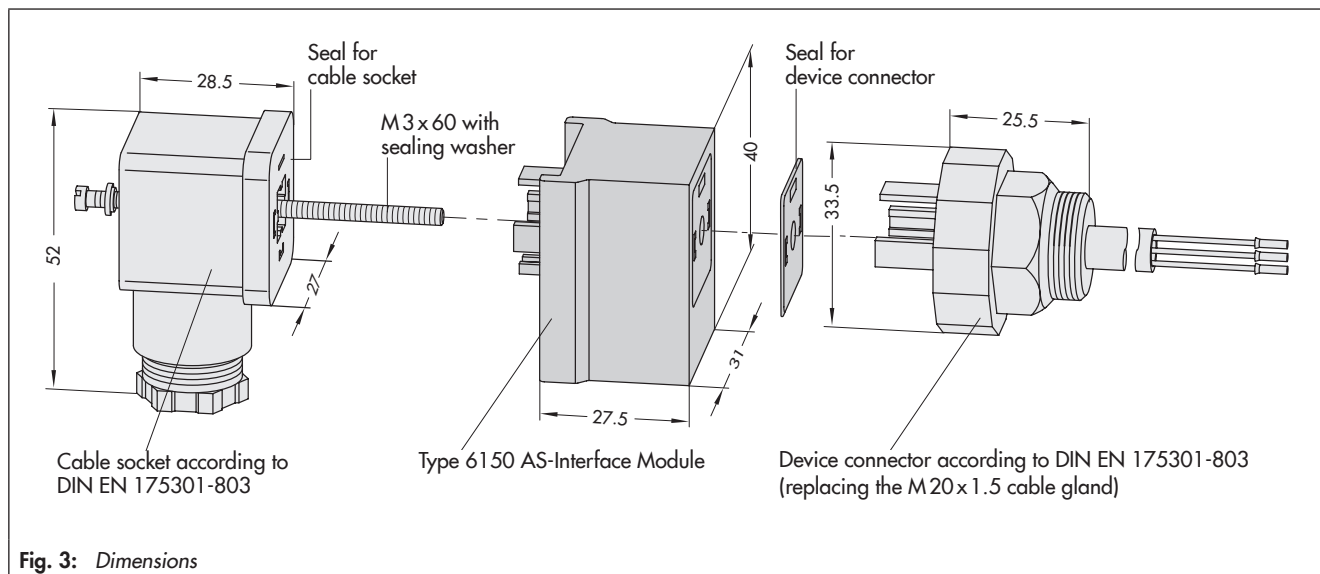


Fig. 3: Dimensions

Specifications subject to change without notice



SAMSON AG · MESS- UND REGELTECHNIK  
 Weismüllerstraße 3 · 60314 Frankfurt am Main · Germany  
 Phone: +49 69 4009-0 · Fax: +49 69 4009-1507  
 Internet: <http://www.samson.de>

T 6150 EN

2021-07-20