



Your contact details:

Title:

Name:

Company:

Customer no.

Street:

ZIP/postal code, city:

Country:

E-mail:

Phone:

Ordering spare parts

The spare parts for Type 3241 are listed on the next pages. This document can also be used for ordering:

1. Fill in your contact data and information on the product.
2. Enter the quantity of spare parts needed.
3. Click [Send form] button to attach the PDF form to an e-mail.
4. Attach additional information (e.g. invoice, photos) to the e-mail, if necessary.
5. Send e-mail to spareparts-de@samsongroup.com.

Either

Configuration ID (Var-ID):

or

SAMSON order no.:

Position in order:

or specifications on the nameplate

(description of the currently valid nameplate ► EB 8015)

Type designation:	3241
Material:	
Nominal size:	
Pressure rating:	
Flow coefficient:	
Characteristic:	
Seat-plug seal:	
Seat code:	
Pressure balancing:	
Flow divider:	
PSA version:	
Version	Standard bonnet With insulating section With bellows seal
Application	NACE Oxygen Industrial gases Chlorine

Send form

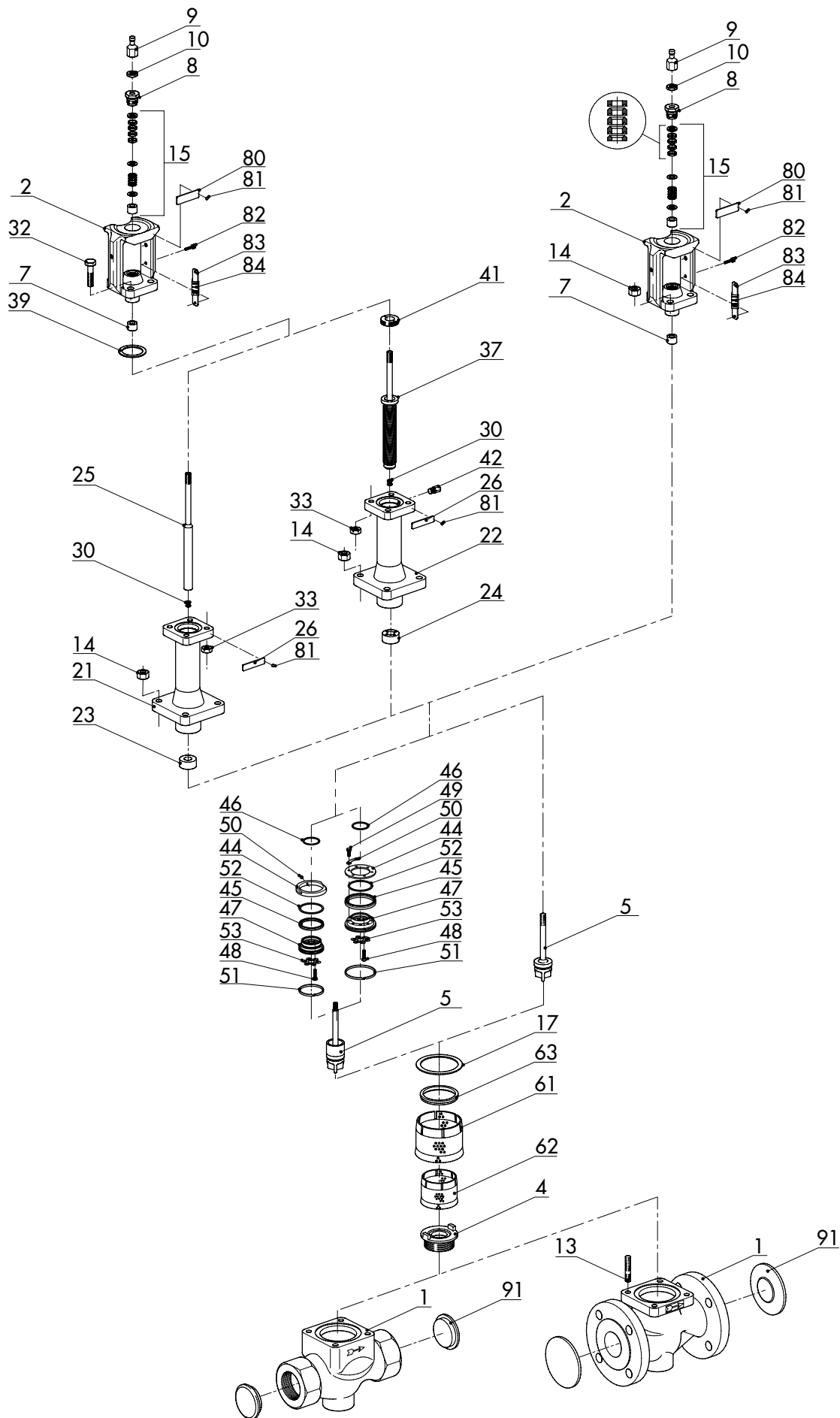
Print form

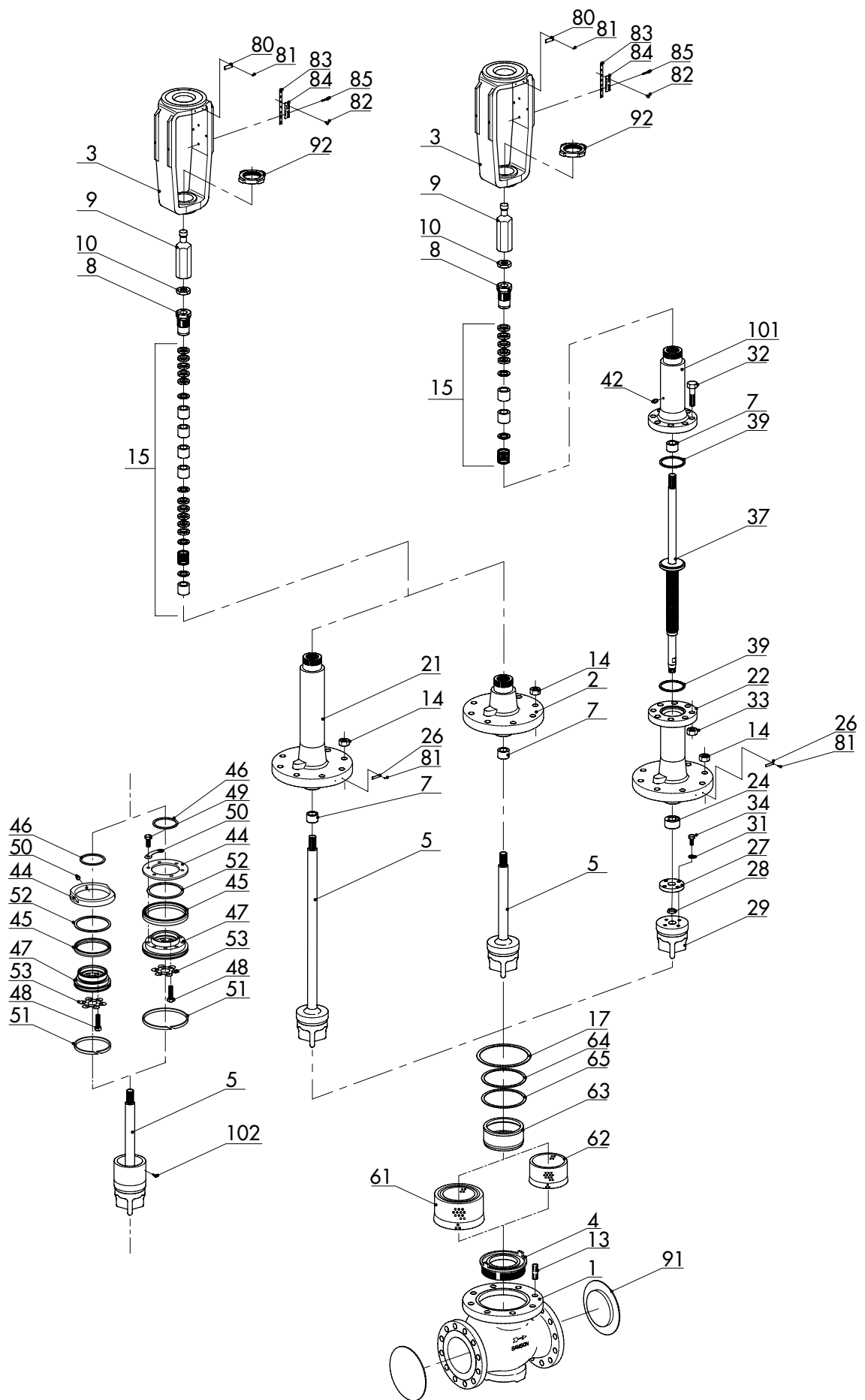
Clear form

Edition June 2022

Spare Parts List

EL 8015 EN





Spare part no.	Qty.	Part subject to wear ¹⁾	Purity requirements ²⁾
1			•
2			•
3			
4		•	•
5		•	•
7			•
8		•	•
9			
10			
13		•	
14		•	
15		•	•
17		•	•
21			•
22			•
23			•
24			•
25			•
26			
27			•
28		•	•
29		•	•
30		•	•
31		•	•
32		•	
33		•	
34		•	•
37		•	•
39		•	•
41		•	•
42			•
43		•	•
44			•

Spare part no.	Qty.	Part subject to wear ¹⁾	Purity requirements ²⁾
45		•	•
46		•	•
47			•
48		•	•
49		•	•
50		•	•
51		•	•
52			•
53		•	•
61		•	•
62		•	•
63			•
64		•	•
65		•	•
80			
81			
82			
83/ 84			
85			
91			
92			
101			•
102		•	•

1) Parts subject to wear are a subset of the spare parts, which are subjected to normal operational wear or fatigue.

2) For certain applications (e.g. for oxygen service), this part must be specified as "cleaned".

3) Version with balanced valve plug

4) Version with flow divider

Specifications subject to change without notice