

MOUNTING AND OPERATING INSTRUCTIONS



EB 2551-2 EN

Translation of original instructions



Type 33-7 Safety Excess Pressure Valve (SEV) Self-operated Regulators

Edition May 2023



Note on these mounting and operating instructions

These mounting and operating instructions assist you in mounting and operating the device safely. The instructions are binding for handling SAMSON devices. The images shown in these instructions are for illustration purposes only. The actual product may vary.

- For the safe and proper use of these instructions, read them carefully and keep them for later reference.
- If you have any questions about these instructions, contact SAMSON's After-sales Service (aftersaleservice@samsongroup.com).



The mounting and operating instructions for the devices are included in the scope of delivery. The latest documentation is available on our website at www.samsongroup.com > **Service & Support** > **Downloads** > **Documentation**.

Definition of signal words

DANGER

Hazardous situations which, if not avoided, will result in death or serious injury

WARNING

Hazardous situations which, if not avoided, could result in death or serious injury

NOTICE

Property damage message or malfunction

Note

Additional information

Tip

Recommended action

1	Safety instructions and measures	1-1
1.1	Notes on possible severe personal injury	1-4
1.2	Notes on possible personal injury	1-4
1.3	Notes on possible property damage	1-6
2	Markings on the device	2-1
2.1	Nameplate	2-1
2.2	Location of the nameplate	2-1
2.3	Material identification number	2-1
3	Design and principle of operation	3-1
3.1	Additional fittings	3-3
3.2	Technical data	3-4
4	Shipment and on-site transport	4-1
4.1	Accepting the delivered goods	4-1
4.2	Removing the packaging from the regulator	4-1
4.3	Transporting and lifting the regulator	4-2
4.3.1	Transporting the regulator	4-2
4.3.2	Lifting the regulator	4-3
4.4	Storing the regulator	4-4
5	Installation	5-1
5.1	Installation conditions	5-1
5.2	Preparation for installation	5-3
5.3	Installation	5-4
5.3.1	Installing the regulator	5-4
5.3.2	Cleaning the pipeline	5-4
5.4	Testing the regulator	5-5
5.0.1	Leak test	5-6
5.4.1	Pressure test	5-6
5.5	Insulation	5-7
6	Start-up	6-1
6.1	Start-up and putting the device back into operation	6-2
6.2	Starting up the plant	6-2
7	Operation	7-1
7.1	Adjusting the set point	7-1
8	Malfunctions	8-1
8.1	Troubleshooting	8-1
8.2	Emergency action	8-2

Contents

9	Servicing.....	9-1
9.1	Preparing the valve for service work	9-2
9.2	Installing the regulator after service work	9-2
9.3	Service work.....	9-2
9.3.1	Cleaning or replacing the filter in the pilot valve	9-2
9.3.2	Replacing the seat and plug.....	9-3
9.3.3	Replacing the actuator's operating diaphragm	9-3
9.4	Ordering spare parts and operating supplies	9-4
10	Decommissioning	10-1
11	Removal	11-1
11.1	Removing the regulator from the pipeline	11-1
12	Repairs	12-1
12.1	Returning devices to SAMSON	12-1
13	Disposal.....	13-1
14	Certificates.....	14-1
15	Annex.....	15-1
15.1	Tightening torques.....	15-1
15.2	Lubricant	15-1
15.3	Tools	15-1
15.4	Accessories	15-1
15.5	Spare parts	15-2
15.6	After-sales service	15-2

1 Safety instructions and measures

Intended use

The SAMSON Type 33-7 Regulator is a safety excess pressure valve (SEV).

The self-operated regulator is used to control the upstream pressure p_1 in the pipeline to the adjusted set point. Liquids and gases in processing and industrial plants can be controlled by the regulator.

The regulator is designed to operate under exactly defined conditions (e.g. operating pressure, process medium, temperature). Therefore, operators must ensure that the regulator is only used in operating conditions that meet the specifications used for sizing the regulator at the ordering stage. In case operators intend to use the controllers in applications or conditions other than those specified, contact SAMSON.

SAMSON does not assume any liability for damage resulting from the failure to use the device for its intended purpose or for damage caused by external forces or any other external factors.

→ Refer to the technical data and nameplate for limits and fields of application as well as possible uses.

Reasonably foreseeable misuse

The regulator is not suitable for the following applications:

- Use outside the limits defined during sizing and by the technical data
- Use outside the limits defined by the additional fittings mounted on the regulator

Furthermore, the following activities do not comply with the intended use:

- Use of non-original spare parts
- Performing service and repair work not described
- Modification of parts as well as service or repair work on the Type 33-7

Qualifications of operating personnel

The regulator must be mounted, started up, serviced and repaired by fully trained and qualified personnel only; the accepted industry codes and practices must be observed. According to these mounting and operating instructions, trained personnel refers to individuals who are able to judge the work they are assigned to and recognize possible hazards due to their specialized training, their knowledge and experience as well as their knowledge of the applicable standards.

Safety instructions and measures

Safety features

The Type 33-7 Regulator is a safety excess pressure valve (SEV). When relieved of pressure, the regulator is closed by the force of the positioning springs.

Personal protective equipment

We recommend checking the hazards posed by the process medium being used (e.g.

▶ GESTIS (CLP) hazardous substances database). Depending on the process medium and/or the activity, the protective equipment required includes:

- Protective clothing, safety gloves and eye protection in applications with hot, cold and/or corrosive media
 - Wear hearing protection when working near the valve
 - Hard hat
 - Safety harness when working at height
 - Safety footwear, ESD (electrostatic discharge) footwear, if necessary
- ➔ Check with the plant operator for details on further protective equipment.

Revisions and other modifications

Revisions, conversions or other modifications of the product are not authorized by SAMSON. They are performed at the user's own risk and may lead to safety hazards, for example. Furthermore, the product may no longer meet the requirements for its intended use.

Warning against residual hazards

To avoid personal injury or property damage, plant operators and operating personnel must prevent hazards that could be caused in the regulator by the process medium, the operating pressure or by moving parts by taking appropriate precautions. Plant operators and operating personnel must observe all hazard statements, warning and caution notes in these mounting and operating instructions.

Hazards resulting from the special working conditions at the installation site of the regulator must be identified in a risk assessment and prevented through the corresponding safety instructions drawn up by the operator.

We also recommend checking the hazards posed by the process medium being used (e.g.

▶ GESTIS (CLP) hazardous substances database).

- ➔ Observe safety measures for handling the device as well as fire prevention and explosion protection measures.

Responsibilities of the operator

Operators are responsible for proper use and compliance with the safety regulations. Operators are obliged to provide these mounting and operating instructions as well as the referenced documents to the operating personnel and to instruct them in proper operation. Furthermore, operators must ensure that operating personnel or third parties are not exposed to any danger.

Responsibilities of operating personnel

Operating personnel must read and understand these mounting and operating instructions as well as the referenced documents and observe the specified hazard statements, warnings and caution notes. Furthermore, operating personnel must be familiar with the applicable health, safety and accident prevention regulations and comply with them.

Operators are additionally responsible for ensuring that the limits for the product defined in the technical data are observed. This also applies to the start-up and shutdown procedures. Start-up and shutdown procedures fall within the scope of the operator's duties and, as such, are not part of these mounting and operating instructions. SAMSON is unable to make any statements about these procedures since the operative details (e.g. differential pressures and temperatures) vary in each individual case and are only known to the operator.

Referenced standards, directives and regulations

The regulators comply with the requirements of the European Pressure Equipment Directive 2014/68/EU and the Machinery Directive 2006/42/EC. Regulators with a CE marking have a EU declaration of conformity which includes information about the applied conformity assessment procedure. This EU declaration of conformity is included in the 'Certificates' section.

According to the ignition hazard assessment performed in accordance with Clause 5.2 of ISO 80079-36, the non-electrical regulators do not have their own potential ignition source even in the rare incident of an operating fault. As a result, they do not fall within the scope of Directive 2014/34/EU.

➔ For connection to the equipotential bonding system, observe the requirements specified in Clause 6.4 of EN 60079-14 (VDE 0165-1).

Referenced documentation

The following documents apply in addition to these mounting and operating instructions:

Safety instructions and measures

- Mounting and operating instructions for
e.g. **Type 2 N or 2 NI Strainer** ▶ EB 1015
- Data sheets for
e.g. **Type 2 N or 2 NI Strainer** ▶ T 1015
- Mounting and operating instructions as well as data sheets for additional fittings (e.g. shut-off valves, pressure gauges etc.).

1.1 Notes on possible severe personal injury

DANGER

Risk of bursting in pressure equipment.

Regulators and pipelines are pressure equipment. Impermissible pressure or improper opening can lead to regulator components bursting.

- Observe the maximum permissible pressure for regulator and plant.
- Before starting any work on the regulator, depressurize all plant sections affected as well as the regulator.
- Drain the process medium from all the plant sections affected as well as the regulator.
- Wear personal protective equipment.

1.2 Notes on possible personal injury

WARNING

Risk of personal injury through incorrect operation, use or installation as a result of information on the regulator being illegible.

Over time, markings, labels and nameplates on the regulator may become covered with dirt or become illegible in some other way. As a result, hazards may go unnoticed and the necessary instructions not followed. There is a risk of personal injury.

- Keep all relevant markings and inscriptions on the device in a constantly legible state.
- Immediately renew damaged, missing or incorrect nameplates or labels.

⚠ WARNING

Risk of hearing loss or deafness due to loud noise.

The noise emissions depend on the valve version, plant facilities and process medium.

→ Wear hearing protection when working near the valve.

Risk of personal injury due to pressurized components and process medium being discharged.

Incorrect opening of pressure equipment or mounting parts may lead to the process medium escaping to the atmosphere.

→ Do not loosen the control line while the valve is pressurized.

Risk of burn injuries due to hot or cold components and pipelines.

Depending on the process medium, regulator components and pipelines may get very hot or cold and cause burn injuries.

→ Allow components and pipelines to cool down or warm up to the ambient temperature.

→ Wear protective clothing and safety gloves.

Damage to health relating to the REACH regulation.

If a SAMSON device contains a substance which is listed as being a substance of very high concern on the candidate list of the REACH regulation, this circumstance is indicated on the SAMSON delivery note.

→ Information on safe use of the part affected. ► www.samsongroup.com/en/about-samson/material-compliance/reach-regulation/

Risk of personal injury due to residual process medium in the regulator.

While working on the regulator, residual process medium can escape and, depending on its properties, may lead to personal injury, e.g. (chemical) burns.

→ If possible, drain the process medium from all the plant sections affected and the regulator.

→ Wear protective clothing, safety gloves and eye protection.

1.3 Notes on possible property damage

! NOTICE

Risk of regulator damage due to incorrectly attached slings.

→ Do not attach load-bearing slings to the actuator housing.

Risk of regulator damage due to unsuitable medium properties.

The regulator is designed for a process medium with defined properties.

→ Only use the process medium specified for sizing the equipment.

Risk of regulator damage due to contamination (e.g. solid particles) in the pipeline.

The plant operator is responsible for cleaning the pipelines in the plant.

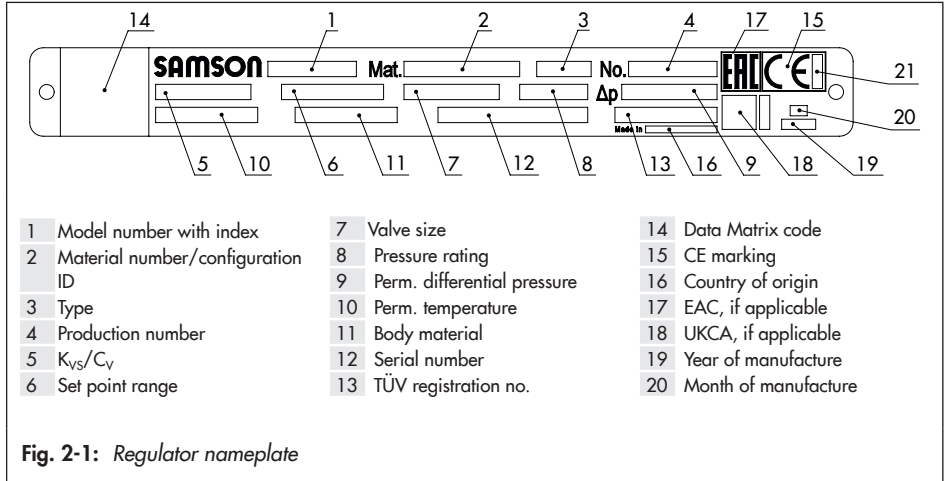
→ Flush the pipelines before start-up.

i Note

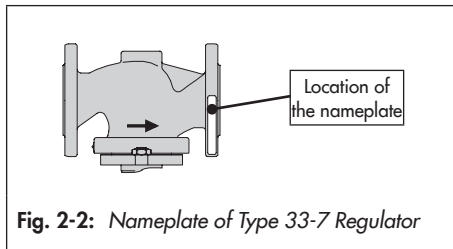
SAMSON's After-sales Service can support you concerning lubricant, tightening torques and tools approved by SAMSON.

2 Markings on the device

2.1 Nameplate



2.2 Location of the nameplate



2.3 Material identification number

The material designation can be found on the nameplate (7, body material) or you can contact us (the configuration ID specification is needed) to find out which material is used. It is specified on the nameplate in the 'MNo' field (3). For more details on the nameplate, see section 2.1.

3 Design and principle of operation

→ See Fig. 3-1

The Type 33-7 Excess Pressure Valve (SEV) consists of the main valve with actuator and the pilot valve attached to it.

The safety excess pressure valve is used to maintain the pressure upstream of the main valve to a set point adjusted at the pilot valve.

The safety excess pressure valve opens as the upstream pressure p_1 rises.

When the safety excess pressure valve starts to open, the process medium first flows through the pilot valve (8) before the main valve (1) opens. During which, the forces acting on the plug in the main valve are eliminated by the balancing bellows (5).

The upstream pressure p_1 is fed through the control line (10) to the pilot valve (8). The pilot valve (8) creates a control pressure p_s . It functions as an excess pressure valve and controls the main valve (1).

The control pressure p_s is transferred through the control line (12) and acts on the operating diaphragm (6).

The control pressure p_s drops when the upstream pressure p_1 rises. The force resulting from the control pressure p_s acting on the operating diaphragm (6) and the forces created at the set point springs (7) fall below the force of the prevailing upstream pressure p_1 . The main valve (1) opens.

A decrease in upstream pressure p_1 causes the control pressure p_s to rise. As a result, the control pressure p_s gradually reaches the same level of the upstream pressure p_1 causing the main valve (1) to be closed by the set point springs (7).

Upon failure of the operating diaphragm (6), the safety excess pressure valve opens and the pressure falls below the adjusted pressure p_1 .

i Note

To ensure proper functioning of the regulator, the minimum differential pressure Δp_{min} must correspond to the pressure specified in Table 3-1.

Design and principle of operation

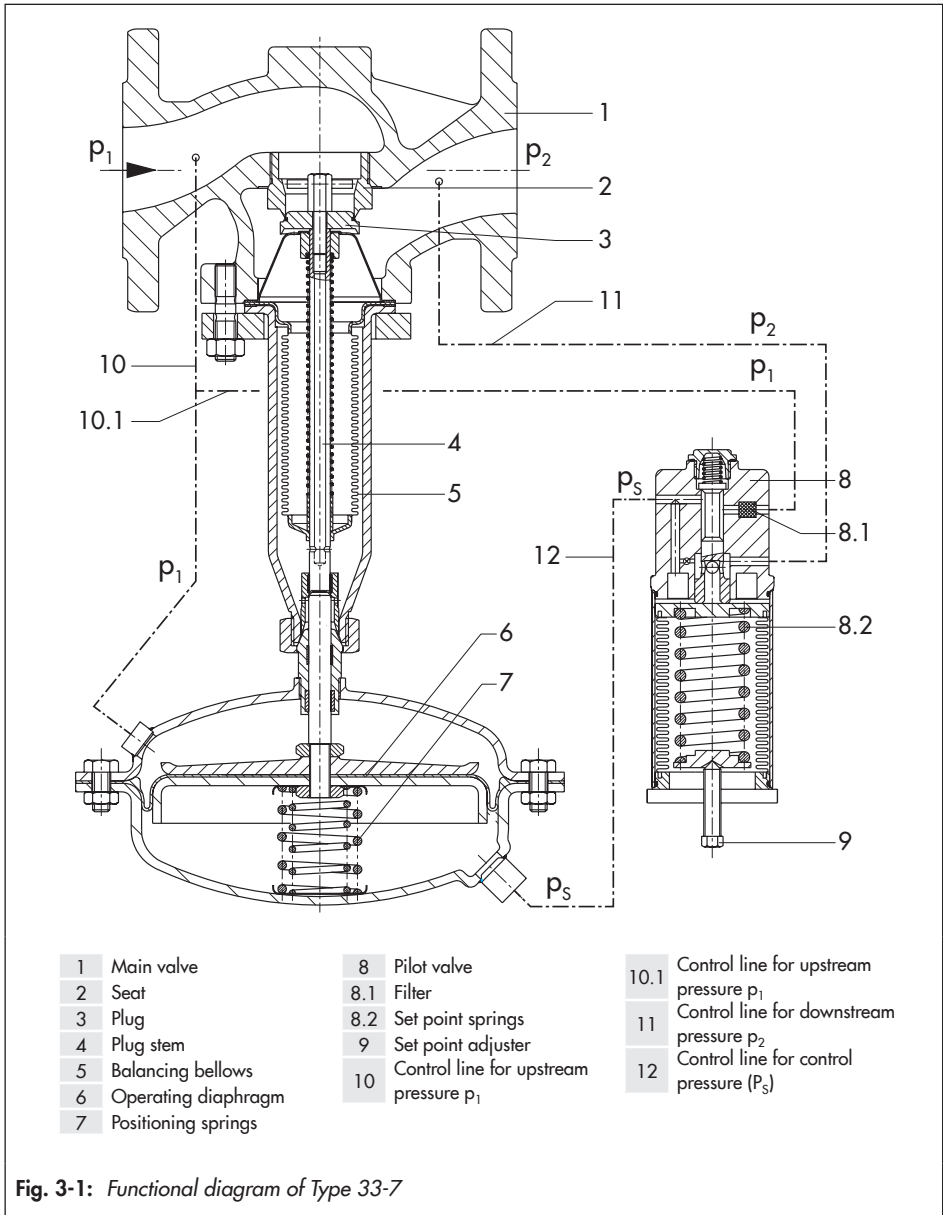


Fig. 3-1: Functional diagram of Type 33-7

3.1 Additional fittings

→ See Fig. 3-2

Strainers

We recommend installing a SAMSON strainer (2) upstream of the valve. It prevents solid particles in the process medium from damaging the regulator.

- Do not use the strainer to permanently filter the process medium.
- Select a strainer (mesh size) suitable for the process medium.

Pressure gauges

Install a pressure gauge (3 and 5) at suitable points to monitor the pressures prevailing in the plant.

i Note

Any impurities carried along by the process medium may impair the proper functioning of the regulator. We recommend installing a strainer (e.g. SAMSON Type 2 NI) upstream of the excess pressure valve (► EB 1015).

Shut-off valves

We recommend installing a shut-off valve (1 and 6) both upstream of the strainer and downstream of the regulator. The shut-off valves ensure that the entire plant does not need to be shut down for service and repair work on the regulator.

Insulation

Regulators can be insulated to reduce heat energy transfer. Refer to the instructions in the 'Installation' section.

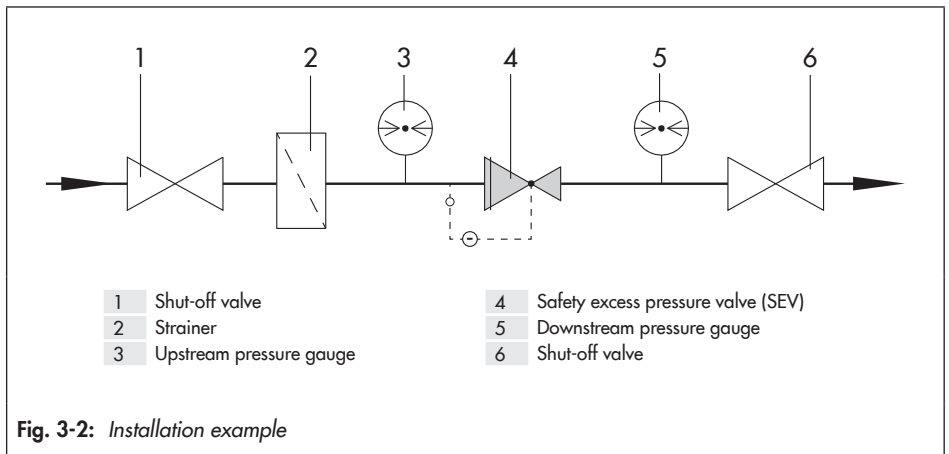


Fig. 3-2: Installation example

3.2 Technical data

The regulator nameplate provides information on the regulator version (see the 'Markings on the device' section).

i Note

More information is available in Data Sheet T 2551.

Conformity

The Type 33-7 Regulator bears both the CE and EAC marks of conformity.



Process medium and scope of application

The Type 33-7 Safety Excess Pressure Valve (SEV) is used to maintain the pressure upstream of the regulator to an adjusted set point.

- Suitable for **gases and liquids**
- Max. temperature **150 °C**
- Set points from **1 to 11 bar**
- Valve size **DN 65 to 250**
- Pressure ratings from **PN 16 to 40**

The regulator is closed when relieved of pressure. The valve **opens** when the **upstream** pressure rises.

Leakage class

The soft-seated regulator has the leakage class IV according to IEC 60534-4.

Temperature range

Depending on how the regulator is configured and the process medium used, it can be used up to temperatures of 150 °C (see Table 3-1). The minimum temperature is limited by the accessories used and the actuator's diaphragm material (► T 2551).


Noise emissions

SAMSON is unable to make general statements about noise emissions. The noise emissions depend on the regulator version, plant facilities, process medium and operating conditions.

Dimensions and weights

Table 3-4 provides a summary of the dimensions and weights. The lengths and heights in the dimensional drawing are shown on page 3-7.

Table 3-1: Technical data · All pressures in bar (gauge)

Valve size	DN	65	80	100	125	150	200 ²⁾	250 ²⁾
Pressure rating		PN 16, 25 or 40						
Max. permissible temperature		150 °C ¹⁾						
Set point range (continuously adjustable)		1 to 11 bar						
Minimum differential pressure Δp_{\min}		0.4 bar			0.5 bar		0.6 bar	
Max. permissible differential pressure Δp		16 bar				12 bar	10 bar	
Max. permissible upstream pressure p_1		16 bar						
Conformity								

¹⁾ Valve body made of cast iron (EN-GJL-250), DN 125 to 250: max. 130 °C, taking into account the material table in DIN 4747-1 for the use of the regulator in hot-water district heating networks.

²⁾ DN 200 and 250 as well as set point range 2 to 16 bar available on request.

Table 3-2: K_{VS} coefficients and x_{FZ} values · Terms for noise level calculation according to VDMA 24422 (edition 1.89)

Valve size	DN	65	80	100	125	150	200	250
K_{VS} coefficient		50	80	125	190	280	420	500
Value at $K_{VS} 0.3$ ¹⁾		1.6	1.7	2.0	2.4	3.0	5.0	
x_{FZ} value		0.40	0.35				0.30	

¹⁾ Despite installing a strainer upstream of the regulator, dirt particles may impair the valve shut-off depending on the size of the strainer mesh. On using the SAMSON Type 2 NI Strainer, the maximum leakage rate may correspond to the specified value at $K_{VS} 0.3$ due to the clogging up of the valve. This value is then significant on sizing the safety valve or safety excess pressure valve in the plant.

Design and principle of operation

Table 3-3: Materials · Material number according to DIN EN

Valve			
Pressure rating	PN 16	PN 16 · PN 25	PN 16 · PN 25 · PN 40
Body	Cast iron EN-GJL-250	Spheroidal graphite iron EN-GJS-400-18-LT ¹⁾	Cast steel 1.0619
Seat	Stainless steel 1.4006		
Plug with EPDM seal	Stainless steel 1.4004		
Balancing bellows	Stainless steel 1.4571		
Seal	Graphite on metal core		
Actuator			
Diaphragm cases	Sheet steel DD11 (StW22)		
Diaphragm	EPDM with fabric reinforcement		
Guide bushing	DU bushing with EPDM seal		
Pilot valve			
Body	Brass CW600N/1.4541		
Plug	Brass CW617N		
Metal bellows	Brass CW502L		
Control lines	Steel, special version: copper		
Screw fittings	Steel		

¹⁾ DN 150 and smaller

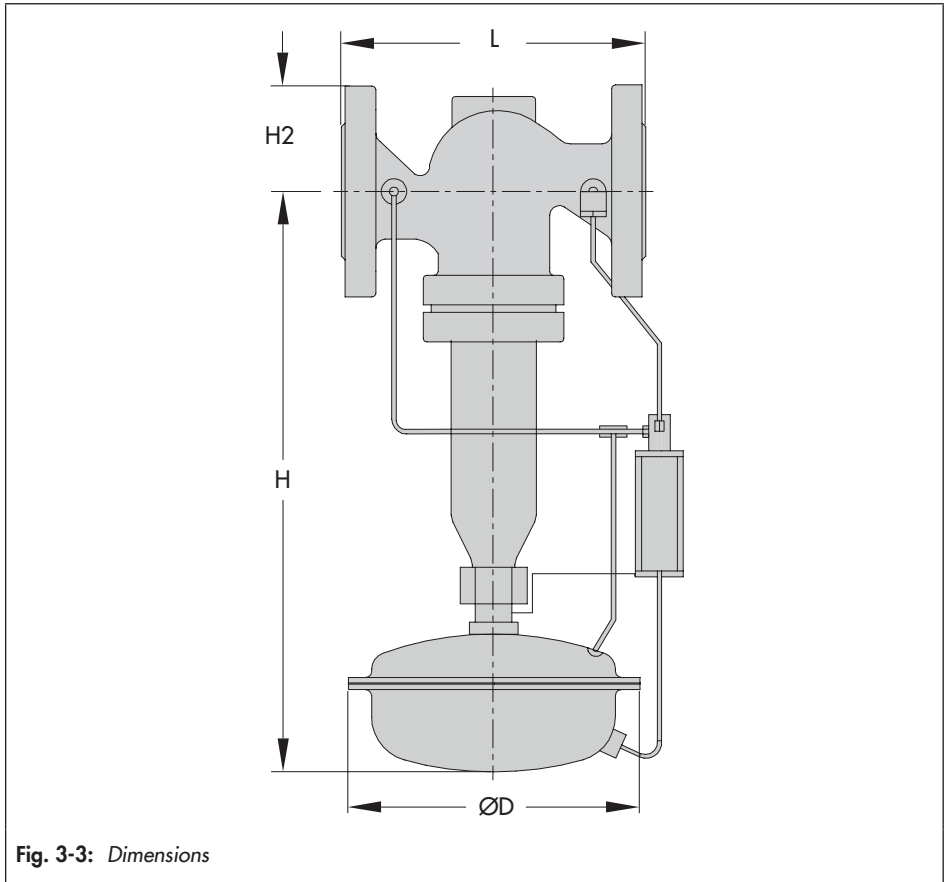
Table 3-4: Dimensions in mm and weights in kg

Valve size	DN 65	DN 80	DN 100	DN 125	DN 150	DN 200	DN 250
Length L	290	310	350	400	480	600	730
Height H ¹⁾	335			390			510
Height H2	100	120	145	175	235	260	
Actuator area	A = 640 cm ²						
Diaphragm housing	ØD = 380 mm						
Weight (approx.) for PN 16 ²⁾	53 kg	58 kg	66 kg	96 kg	140 kg	280 kg	330 kg

¹⁾ +15 mm for PN 40

²⁾ +10 % for cast steel 1.0619 and spheroidal graphite iron EN-GJS-400-18-LT

Dimensional drawings



4 Shipment and on-site transport

The work described in this section is only to be performed by personnel appropriately qualified to carry out such tasks.

4.1 Accepting the delivered goods

After receiving the shipment, proceed as follows:

1. Check the scope of delivery. Check that the specifications on the valve and actuator nameplate match the specifications in the delivery note. See the 'Markings on the device' section for nameplate details.
2. Check the shipment for transportation damage. Report any damage to SAMSON and the forwarding agent (refer to delivery note).
3. Determine the weight and dimensions of the units to be lifted and transported in order to select the appropriate lifting equipment and lifting accessories. Refer to the transport documents and the 'Design and principle of operation' section.

4.2 Removing the packaging from the regulator

The tested regulator is delivered as an assembled unit.

Proceed as follows to lift and install the regulator:

- Do not open or remove the packaging until immediately before lifting to install the regulator into the pipeline.
- Leave the regulator components in its transport container or on the pallet to transport it on site.
- Do not remove the protective caps from the inlet and outlet until immediately before installing the valve into the pipeline. They prevent foreign particles from entering the valve.
- Dispose and recycle the packaging in accordance with the local regulations.

4.3 Transporting and lifting the regulator

⚠ DANGER

Danger due to suspended loads falling.

- Stay clear of suspended or moving loads.
- Close off and secure the transport paths.

⚠ WARNING

Risk of lifting equipment tipping over and risk of damage to lifting accessories due to exceeding the rated lifting capacity.

- Only use approved lifting equipment and accessories whose minimum lifting capacity is higher than the weight of the valve (including actuator and packaging, if applicable).
- Refer to the 'Design and principle of operation' section for the weights.

⚠ WARNING

Risk of injury due to incorrect lifting without the use of lifting equipment.

Lifting the regulator without the use of lifting equipment may lead to injuries (back injury in particular) depending on the weight of the regulator.

- Observe the guideline weight for manual handling: 15 to max. 55 kg taking into account age, gender and physical fitness
- Observe the occupational health and safety regulations valid in the country of use.

⚠ WARNING

Risk of personal injury due to the regulator tipping.

- Observe the regulator's center of gravity.
- Secure the regulator against tipping over or turning.

💡 Tip

Our after-sales service can provide more detailed transport and lifting instructions on request.

4.3.1 Transporting the regulator

The regulator can be transported using lifting equipment (e.g. crane or forklift).

- Leave the regulator in its transport container or on the pallet to transport it.
- Observe the transport instructions.

Transport instructions

- Protect the regulator against external influences (e.g. impact).
- Do not damage the corrosion protection (paint, surface coatings). Repair any damage immediately.
- Protect the piping and any mounted valve accessories against damage.
- Protect the regulator against moisture and dirt.
- The permissible ambient temperature of standard regulators is -20 to +80 °C.

4.3.2 Lifting the regulator

To install a large regulator into the pipeline, use lifting equipment (e.g. crane or forklift) to lift it.

Lifting instructions

- Use a hook with safety latch to secure the slings from slipping off the hook during lifting and transporting (see Fig. 4-1).
- Secure slings against slipping.
- Make sure the slings can be removed after installation.
- Prevent the regulator from tilting or tipping.
- Do not leave loads suspended when interrupting work for longer periods of time.
- Make sure that the axis of the pipeline is always horizontal during lifting and the axis of the plug stem is always vertical.

Lifting

1. Attach one sling to the flange of the body and to the rigging equipment (e.g. hook) of the crane or forklift (see Fig. 4-1).
2. Carefully lift the regulator. Check whether the lifting equipment and accessories can bear the weight.
3. Move the regulator at an even pace to the site of installation.
4. Install the regulator into the pipeline (see the 'Installation' section).

5. After installation in the pipeline, check whether the regulator flanges are bolted tight.
6. Remove slings.

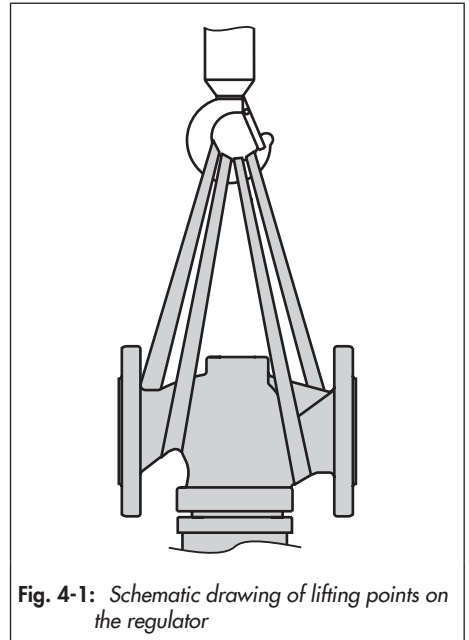


Fig. 4-1: Schematic drawing of lifting points on the regulator

4.4 Storing the regulator

NOTICE

Risk of regulator damage due to improper storage.

- Observe the storage instructions.
 - Avoid long storage times.
 - Contact SAMSON in case of different storage conditions or longer storage times.
-

Note

We recommend regularly checking the regulator and the prevailing storage conditions during long storage periods.

Storage instructions

- Protect the regulator against external influences (e.g. impact).
- Secure the regulator in the stored position against slipping or tipping over.
- Do not damage the corrosion protection (paint, surface coatings). Repair any damage immediately.
- Protect the regulator against moisture and dirt. Store it at a relative humidity of less than 75 %. In damp spaces, prevent condensation. If necessary, use a drying agent or heating.
- Make sure that the ambient air is free of acids or other corrosive media.
- The permissible storage temperature of standard regulators is -20 to $+65$ °C.
- Do not place any objects on the regulator.

Tip

SAMSON's After-sales Service can provide more detailed storage instructions on request.

5 Installation

The work described in this section is only to be performed by personnel appropriately qualified to carry out such tasks.

5.1 Installation conditions

Work position

The work position for the regulator is the front view onto all operating controls on the regulator (including any additional fittings) seen from the position of operating personnel.

Plant operators must ensure that, after installation of the device, the operating personnel can perform all necessary work safely and easily access the device from the work position.

Pipeline routing

The inlet and outlet lengths vary depending on several variables and process conditions and are intended as recommendations. Contact SAMSON if the lengths are significantly shorter than the recommended lengths.

To ensure that the regulator functions properly, proceed as follows:

- ➔ Observe the inlet and outlet lengths (see Table 5-1). Contact SAMSON if the regulator conditions or state of the medium process deviate.

- ➔ Install the regulator free of stress and with the least amount of vibrations as possible. Read information under “Work position” and “Support or suspension” in this section.
- ➔ Install the regulator allowing sufficient space to remove the actuator and valve or to perform service work on them.

Mounting position

To ensure that the regulator functions properly, proceed as follows:

- ➔ Install the regulator with the actuator suspended downward in horizontal pipelines (see Fig. 5-1).
- ➔ Make sure the direction of flow matches the direction indicated by the arrow on the body.
- ➔ Contact SAMSON if the mounting position is not as specified above.

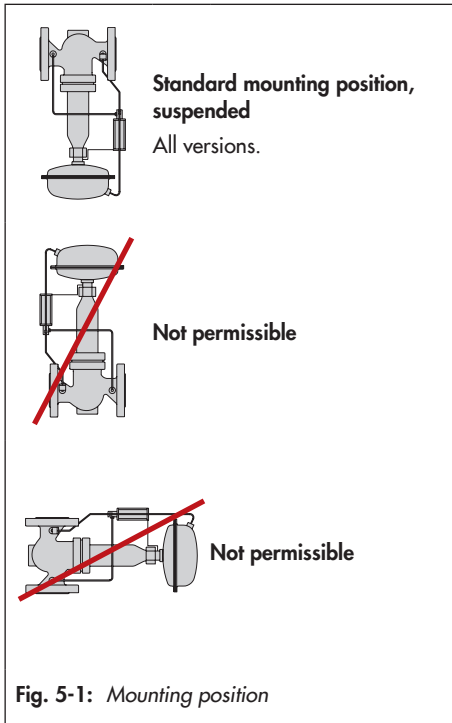
! NOTICE

Damage due to freezing.

Protect the regulator from icing up when controlling media that can freeze. Unless the regulator is installed in locations where no frost occurs, remove the regulator from the pipeline when the plant is shut down.

i Note

Do not install any instruments (e.g. temperature regulators or shut-off valves) that restrict the cross-section of the pipe between the pressure tapping point and the regulator.



Support or suspension

i Note

The plant engineering company is responsible for selecting and implementing a suitable support or suspension of the installed regulator and the pipeline.

Depending on the regulator version and mounting position, the valve, actuator and pipeline must be supported or suspended.

! NOTICE

Do not attach supports directly to the regulator.

5.2 Preparation for installation

Before installation, make sure the following conditions are met:

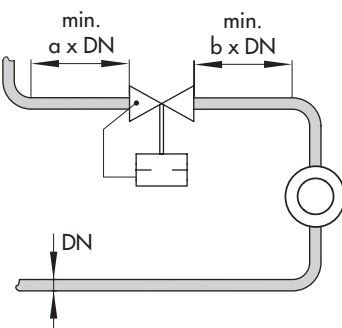
- The valve is clean.
- The valve, actuator and all piping are not damaged.
- Install a strainer upstream of the regulator.
- The valve data on the nameplate (type designation, valve size, material, pressure rating and temperature range) match the plant conditions (size and pressure rating of the pipeline, medium temperature etc.). See the 'Markings on the device' section for nameplate details.

- The requested or required additional fittings have been installed or prepared as necessary before installing the valve (see the 'Design and principle of operation' section).

Proceed as follows:

- ➔ Lay out the necessary material and tools to have them ready during installation work.
- ➔ Flush the pipeline **before** installing the regulator.
The plant operator is responsible for cleaning the pipelines in the plant.
- ➔ Check any mounted pressure gauges to make sure they function properly.

Table 5-1: Inlet and outlet lengths



State of process medium	Valve conditions	Inlet length a	Outlet length b
Gas	$Ma \leq 0.3$	2	4
Liquid	Free of cavitation/ $w < 3 \text{ m/s}$	2	4
	Cavitation producing noise/ $w \leq 3 \text{ m/s}$	2	4

a Inlet length
b Outlet length

5.3 Installation

Tested SAMSON regulators are delivered as assembled units. The activities listed below are necessary for installation and before start-up of the regulator.

5.3.1 Installing the regulator

1. Close the shut-off valves upstream and downstream of the regulator while the regulator is being installed.
2. Remove the protective caps from the valve ports before installing the valve.
3. Lift the valve using suitable lifting equipment to the site of installation. Observe the flow direction through the valve. The arrow on the valve indicates the direction of flow.
4. Make sure that the correct flange gaskets are used.
5. Bolt the pipe to the valve free of stress.
6. Slowly open the shut-off valves in the pipeline after the valve has been installed.

5.3.2 Cleaning the pipeline

We recommend additionally flushing the pipeline without the installed regulator before start-up. In this case, install a suitable length of pipe into the pipeline in place of the regulator.

- Observe the mesh size of the upstream strainer for the maximum particle size. Use strainers to suit the process medium.
- Check the strainer for dirt each time the pipeline is flushed and clean it, if necessary.

5.4 Testing the regulator

⚠ DANGER

Risk of bursting due to incorrect opening of pressurized equipment or components.

Regulators and pipelines are pressure equipment that may burst when handled incorrectly. Flying projectile fragments or the release of process medium under pressure can cause serious injury or even death.

Before working on the regulator:

- ➔ Depressurize all plant sections concerned and the regulator.
- ➔ Drain the process medium from all the plant sections concerned as well as the valve.

⚠ DANGER

Risk of personal injury due to process medium escaping.

- ➔ Do not start up the regulator until all parts have been mounted.

⚠ WARNING

Risk of hearing loss or deafness due to loud noise.

Noise emission (e.g. cavitation or flashing) may occur during operation caused by the process medium and the operating conditions.

- ➔ Wear hearing protection when working near the regulator.

⚠ WARNING

Risk of burn injuries due to hot or very cold components and pipelines.

Depending on the process medium, valve components and pipelines may get very hot or cold and cause burn injuries.

- ➔ Wear protective clothing and safety gloves.

SAMSON regulators are delivered ready for use. To test the regulator functioning before start-up or putting back the regulator into operation, perform the following tests:

5.0.1 Leak test

The plant operator is responsible for performing the leak test and selecting the test method. The leak test must comply with the requirements of the national and international standards that apply at the site of installation.



Tip

SAMSON's After-sales Service can support you to plan and perform a leak test for your plant.

1. Slowly open the shut-off valve (1) installed upstream of the regulator.
2. Apply the required test pressure.
3. Check the regulator for leakage to the atmosphere.
4. Depressurize the pipeline section and valve.
5. Rework any parts that leak and repeat the leak test.

5.4.1 Pressure test

i Note

The plant operator is responsible for performing the pressure test. SAMSON's After-sales Service can support you to plan and perform a pressure test for your plant.

! NOTICE

Risk of valve damage due to a sudden pressure increase and resulting high flow velocities.

– Slowly open the shut-off valves.

During the pressure test, make sure the following conditions are met:

- ➔ The maximum test pressure does not exceed 10 bar.
- ➔ Adjust the largest set point at the pilot valve.

If a pressure test of the plant is to be performed with 1.5 times the pressure rating of the safety excess pressure valve, the regulator must be removed and a suitable length of pipe installed in its place before testing.

5.5 Insulation

To insulate cold systems, we recommend first filling the plant and carefully rinsing it. The regulator must not yet be insulated at this stage.

1. Start up the plant and adjust the set point (see the 'Start-up' section).
2. Shut down the plant again and let it heat up until the condensation water has dried off.
3. Insulate the regulator and pipes conveying the process medium using insulation material with a water vapor barrier. If a control line is to be routed through the insulation, special care must be taken with the sealing since slight changes in shape may occur. The insulation thickness depends on the medium temperature and the ambient conditions. 50 mm is a typical thickness.

NOTICE

Risk of regulator damage due to incorrect insulation.

→ *Only insulate the regulator up to the actuator for medium temperatures below 0 °C.*

6 Start-up

The work described in this section is only to be performed by personnel appropriately qualified to carry out such tasks.

⚠ WARNING

Risk of burn injuries due to hot or cold components and pipeline.

Regulator components and the pipeline may become very hot or cold. Risk of burn injuries.

- *Allow components and pipelines to cool down or warm up to the ambient temperature.*
- *Wear protective clothing and safety gloves.*

⚠ WARNING

Risk of personal injury due to pressurized components and process medium being discharged.

- *Do not loosen the control line while the valve is pressurized.*

⚠ WARNING

Risk of hearing loss or deafness due to loud noise.

Noise emission (e.g. cavitation or flashing) may occur during operation caused by the process medium and the operating conditions.

- *Wear hearing protection when working near the valve.*

⚠ DANGER

Risk of personal injury due to process medium escaping.

- *Do not start up the regulator until all parts have been mounted.*

Before start-up or putting the valve back into service, make sure the following conditions are met:

- The regulator is properly installed into the pipeline (see the 'Installation' section).
- The leak and function tests have been completed successfully (see the 'Testing the regulator' section).
- The prevailing conditions in the plant section concerned meet the regulator sizing requirements (see information under 'Intended use' in the 'Safety instructions and measures' section).

6.1 Start-up and putting the device back into operation

1. Depending on the field of application, allow the regulator to cool down or warm up to reach ambient temperature before start up.
2. Slowly open the shut-off valves in the pipeline. Slowly opening these valves prevents a sudden surge in pressure and high flow velocities which can damage the valve.
3. Check the regulator to ensure it functions properly.

6.2 Starting up the plant

1. Open the shut-off valves slowly preferably starting from the upstream pressure side. Afterwards, open all the valves on the consumer side (downstream of the regulator).
2. Fill the plant **slowly** with the process medium. Avoid pressure surges.
3. Make sure that the pressure rises simultaneously upstream and downstream of the regulator to avoid damaging the balancing bellows.

7 Operation

Immediately after completing start-up or placing the regulator back into service (see the 'Start-up' section), the regulator is ready for use.

⚠ WARNING

Risk of burn injuries due to hot or cold components and pipeline.

Regulator components and the pipeline may become very hot or cold. Risk of burn injuries.

- *Allow components and pipelines to cool down or warm up to the ambient temperature.*
- *Wear protective clothing and safety gloves.*

⚠ WARNING

Risk of personal injury due to pressurized components and process medium being discharged.

- *Do not loosen the control line while the valve is pressurized.*

⚠ WARNING

Risk of hearing loss or deafness due to loud noise.

Noise emission (e.g. cavitation or flashing) may occur during operation caused by the process medium and the operating conditions.

- *Wear hearing protection when working near the valve.*

7.1 Adjusting the set point

- The required upstream pressure is set by turning the set point adjuster (9) on the pilot valve (8) using an open-end wrench (width across flats SW 17)
- Turn the set point adjuster clockwise (↻) to increase the pressure set point.
- Turn the set point adjuster counterclockwise (↺) to reduce the pressure set point.

A pressure gauge located on the downstream pressure side allows the adjusted set point to be monitored.

8 Malfunctions

8.1 Troubleshooting

Malfunction	Possible reasons	Recommended action
Upstream pressure exceeds the adjusted set point.	Foreign particles blocking the plug in the main valve or pilot valve	→ Contact SAMSON's After-sales Service.
	Insufficient differential pressure across the regulator	→ Observe differential pressure Δp specified in Table 3-1 in the 'Design and principle of operation' section.
	Defective operating diaphragm	→ Contact SAMSON's After-sales Service.
	Regulator or K_{vs}/C_v coefficient too small	→ Check the sizing. → Contact SAMSON's After-sales Service.
	Control line blocked	→ Clean the control line and screw fittings.
Upstream pressure drops below the adjusted set point.	Regulator installed against the flow	→ Install the regulator so that the direction of flow matches the direction indicated by the arrow on the body.
	Seat and plug in the main valve or pilot valve are worn or leak.	→ Contact SAMSON's After-sales Service.
	Insufficient pressure pulses on the operating diaphragm	→ Clean the control line and screw fittings.
	Foreign particles blocking the plug in the main valve or pilot valve	→ Contact SAMSON's After-sales Service.
	Control line blocked	→ Clean the control line and screw fittings.
	Strainer blocked	→ Clean the strainer upstream of the regulator. → Clean the strainer in the pilot valve.
Upstream pressure fluctuates	Regulator or K_{vs}/C_v coefficient too large	→ Check the sizing. → Contact SAMSON's After-sales Service.
Slow control response	Dirt in the control line	→ Clean the control line.
Jerky control response	Increased friction, e.g. due to foreign particles between seat and plug in the main valve or pilot valve	→ Remove foreign particles. → Contact SAMSON's After-sales Service.
Loud noises	High flow velocity, cavitation	→ Check the sizing. → Install larger regulator, if necessary.
Leakage at the actuator	Damage at the operating diaphragm/balancing bellows	→ Contact SAMSON's After-sales Service.

i Note

Contact SAMSON's After-sales Service for malfunctions not listed in the table.

The malfunctions listed in section 8.1 are caused by mechanical faults and incorrect regulator sizing. In the simplest case, the functioning can be restored following the recommended action.

Exceptional operating and installation conditions may lead to changed situations that may affect the control response and lead to malfunctions. For troubleshooting, the conditions, such as installation, process medium, temperature and pressure conditions, must be taken into account.

💡 Tip

SAMSON's After-sales Service can support you in drawing up an inspection and test plan for your plant.

8.2 Emergency action

Plant operators are responsible for emergency action to be taken in the plant.

We recommend removing the regulator from the pipeline before repairing it.

In the event of a regulator malfunction:

1. Close the shut-off valves upstream and downstream of the regulator to stop the process medium from flowing through the regulator.
2. Perform troubleshooting (see section 8.1).
3. Rectify those malfunctions that can be remedied based on the instructions provided here. Contact SAMSON's After-sales Service in all other cases.

Putting the device back into operation after a malfunction

See the 'Start-up' section.

9 Servicing

The regulator does not require any maintenance. Nevertheless, it is subject to natural wear, particularly at the seat, plug and operating diaphragm. Depending on the operating conditions, check the regulator at regular intervals to avoid possible malfunctions.

Plant operators are responsible for drawing up an inspection and test plan. Details on faults and how to remedy them can be found in the 'Malfunctions' section.

The work described in this section is only to be performed by personnel appropriately qualified to carry out such tasks.

We recommend removing the regulator from the pipeline before performing any maintenance or service work.

⚠ WARNING

Risk of burn injuries due to hot or cold components and pipeline.

Regulator components and the pipeline may become very hot or cold. Risk of burn injuries.

- ➔ Allow components and pipelines to cool down or warm up to the ambient temperature.
 - ➔ Wear protective clothing and safety gloves.
-

⚠ WARNING

Risk of personal injury due to residual process medium in the regulator.

While working on the regulator, residual process medium can escape and, depending on its properties, may lead to personal injury, e.g. (chemical) burns.

- ➔ Wear protective clothing, safety gloves and eye protection.
-

ⓘ NOTICE

Risk of regulator damage due to the use of unsuitable tools.

- ➔ Only use tools approved by SAMSON (see 'Tools' in Annex).
-

ⓘ NOTICE

Risk of regulator damage due to excessively high or low tightening torques.

Observe the specified torques when tightening regulator components. Excessive tightening torques lead to parts wearing out more quickly. Parts that are too loose may cause leakage.

- ➔ Observe the specified tightening torques (see 'Tightening torques' in Annex).
-

Note

The regulator was checked by SAMSON before it left the factory.

- Certain test results certified by SAMSON lose their validity when the regulator is opened. Such testing includes seat leakage and leak tests.
 - The product warranty becomes void if service or repair work not described in these instructions is performed without prior agreement by SAMSON's After-sales Service.
 - Only use original spare parts by SAMSON, which comply with the original specifications.
-

Tip

SAMSON's After-sales Service can support you in drawing up an inspection and test plan for your plant.

9.1 Preparing the valve for service work

1. Lay out the necessary material and tools to have them ready for the service work.
 2. Put the regulator out of operation (see the 'Decommissioning' section).
-

Tip

We recommend removing the regulator from the pipeline before performing any service work (see the 'Removing the regulator from the pipeline' section).

The following service work can be performed after preparation is completed:

- Clean or replace the filter in the pilot valve (see section 9.3.1).

9.2 Installing the regulator after service work

- Put the regulator back into operation (see the 'Start-up' section). Make sure the requirements and conditions for start-up or putting the valve back into operation are met.

9.3 Service work

- Before performing any service work, preparations must be made to the regulator (see section 9.1).
- After all service work is completed, check the regulator before putting it back into operation (see the 'Testing the regulator' section).

9.3.1 Cleaning or replacing the filter in the pilot valve

- See Fig. 9-1

Removing the filter

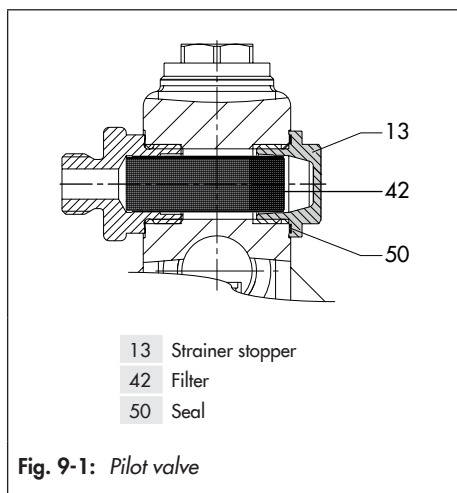
1. Put the regulator out of operation (see the 'Decommissioning' section).
2. Unscrew the strainer stopper (13, width across flats 19) including seal (50).
3. Remove the filter (42) and clean it, if necessary.

Installing the filter

1. Insert new or cleaned filter (42).
2. Place a new seal (50) on the strainer stopper (13).
3. Screw the strainer stopper (13) into the body of the pilot valve. Observe the specified tightening torques (see 'Tightening torques' in Annex).

i Note

The order numbers of the seal and the filter are listed in the 'Accessories' section in the Annex.



9.3.2 Replacing the seat and plug

Further information is available in Annex ('After-sales service').

9.3.3 Replacing the actuator's operating diaphragm

Further information is available in Annex ('After-sales service').

9.4 Ordering spare parts and operating supplies

Contact your nearest SAMSON subsidiary or SAMSON's After-sales Service for information on spare parts, lubricants and tools.

Spare parts

Contact SAMSON's After-sales Service for more information on spare parts.

Lubricant

Contact SAMSON's After-sales Service for more information on lubricants.

Tools

Contact SAMSON's After-sales Service for more information on tools.

Accessories

See Annex for details on accessories.

10 Decommissioning

The work described in this section is only to be performed by personnel appropriately qualified to carry out such tasks.

⚠ DANGER

Risk of bursting due to incorrect opening of pressurized equipment or components.

Regulators and pipelines are pressure equipment that may burst when handled incorrectly. Flying projectile fragments or the release of process medium under pressure can cause serious injury or even death.

Before working on the regulator:

- *Depressurize all plant sections concerned and the regulator.*
- *Drain the process medium from all the plant sections concerned as well as the valve.*

⚠ WARNING

Risk of burn injuries due to hot or cold components and pipeline.

Regulator components and the pipeline may become very hot or cold. Risk of burn injuries.

- *Allow components and pipelines to cool down or warm up to the ambient temperature.*
- *Wear protective clothing and safety gloves.*

⚠ WARNING

Risk of personal injury due to pressurized components and process medium being discharged.

- *Do not loosen the control line while the valve is pressurized.*

⚠ WARNING

Risk of hearing loss or deafness due to loud noise.

Noise emission (e.g. cavitation or flashing) may occur during operation caused by the process medium and the operating conditions.

- *Wear hearing protection when working near the regulator.*

⚠ WARNING

Risk of personal injury due to residual process medium in the regulator.

While working on the regulator, residual process medium can escape and, depending on its properties, may lead to personal injury, e.g. (chemical) burns.

- *Wear protective clothing, safety gloves and eye protection.*

Decommissioning

To decommission the regulator for service work or disassembly, proceed as follows:

1. Close the shut-off valve (1) on the upstream side of the regulator.
2. Close the shut-off valve (6) on the downstream side of the regulator.
3. Depressurize the plant.
4. Completely drain the pipelines and valve.
5. If necessary, allow the pipeline and regulator components to cool down or warm up to the ambient temperature.

11 Removal

The work described in this section is only to be performed by personnel appropriately qualified to carry out such tasks.

⚠ WARNING

Risk of burn injuries due to hot or cold components and pipeline.

Regulator components and the pipeline may become very hot or cold. Risk of burn injuries.

- *Allow components and pipelines to cool down or warm up to the ambient temperature.*
- *Wear protective clothing and safety gloves.*

⚠ WARNING

Risk of personal injury due to residual process medium in the regulator.

While working on the regulator, residual process medium can escape and, depending on its properties, may lead to personal injury, e.g. (chemical) burns.

- *Wear protective clothing, safety gloves and eye protection.*

Before removing the valve, make sure the following conditions are met:

- The regulator is put out of operation (see the 'Decommissioning' section).

11.1 Removing the regulator from the pipeline

1. Support the regulator to hold it in place when separated from the pipeline (see the 'Shipment and on-site transport' section).
2. Unbolt the flanged joint.
3. Remove the regulator from the pipeline (see the 'Shipment and on-site transport' section).

12 Repairs

If the regulator does not function properly according to how it was originally sized or does not function at all, it is defective and must be repaired or exchanged.

! NOTICE

Risk of regulator damage due to incorrect service or repair work.

- Do not perform any repair work on your own.
- Contact SAMSON's After-sales Service for service and repair work.

12.1 Returning devices to SAMSON

Defective devices can be returned to SAMSON for repair.

Proceed as follows to return devices:

1. Exceptions apply concerning some special device models
 - ▶ www.samsongroup.com > Service & Support > After-sales Service.

2. Send an e-mail ▶ retouren@samsongroup.com to register the return shipment including the following information:
 - Type
 - Material no.
 - Item numbers of accessories
 - Original order
 - Completed Declaration on Contamination, which can be downloaded from our website at
 - ▶ www.samsongroup.com > Service & Support > After-sales Service.

After checking your registration, we will send you a return merchandise authorization (RMA).

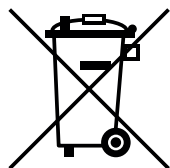
3. Attach the RMA (together with the Declaration on Decontamination) to the outside of your shipment so that the documents are clearly visible.
4. Send the shipment to the address given on the RMA.

i Note

Further information on returned devices and how they are handled can be found at

- ▶ www.samsongroup.com > Service & Support > After-sales Service.

13 Disposal



SAMSON is a producer registered at the following European institution
▶ <https://www.ewrn.org/national-registers/national-registers>.
WEEE reg. no.:
DE 62194439/FR 025665

- Observe local, national and international refuse regulations.
- Do not dispose of components, lubricants and hazardous substances together with your other household waste.

i Note

We can provide you with a recycling passport according to PAS 1049 on request. Simply e-mail us at aftersaleservice@samsongroup.com giving details of your company address.

Tip

On request, we can appoint a service provider to dismantle and recycle the product as part of a distributor take-back scheme.

14 Certificates

The EU declaration of conformity is provided on the next page:

- EU declaration of conformity in compliance with Pressure Equipment Directive 2014/68/EU on page 14-2.
- EU declaration of conformity in compliance with Machinery Directive for Type 33-7 Regulator on page 14-3.

EU DECLARATION OF CONFORMITY
TRANSLATION



Module D, No / N° CE-0062-PED-D-SAM 001-20-DEU

For the following products, SAMSON hereby declares under its sole responsibility:

Safety Excess Pressure Valve SEV 2337 (33-7)

the conformity with the following requirement.

Directive of the European Parliament and of the Council on the harmonization of the laws of the Member States relating of the making available on the market of pressure equipment. 2014/68/EU of 15 May 2014

EC Type Examination Certificate Module B Certificate no 01 202 931-B-13-0025

Conformity assessment procedure applied Module D Certificate no. CE-0062-PED-D-SAM-001-20-DEU

The design is based on the procedures specified in the following standards:
DIN EN 12516-2, DIN EN 12516-3 or ASME B16.1, ASME B16.34, ASME B16.42

The manufacturer's quality management system is monitored by the following notified body:

Bureau Veritas Services SAS, 8 Cours du Triangle, 92800 PUTEAUX – LA DEFENSE, France
Manufacturer: SAMSON AG, Weismüllerstraße 3, 60314 Frankfurt am Main, Germany

Frankfurt am Main, 11. May 2020


Thorsten Muth
Senior Director
Sales and After-sales


i. V. P. Schermesser
Head of Central Department
Product maintenance, contract development and ETO
for valves and actuators

Revision 04

Classification: Public · SAMSON AKTIENGESELLSCHAFT · Weismuellerstrasse 3 · 60314 Frankfurt am Main, Germany Seite 1 von 1

EU DECLARATION OF CONFORMITY
TRANSLATION



Declaration of Conformity of Final Machinery

in accordance with Annex II, section 1.A. of the Directive 2006/42/EC

For the following products:

Type 33-7 Safety Excess Pressure Valve (SEV)

We hereby declare that the machinery mentioned above complies with all applicable requirements stipulated in Machinery Directive 2006/42/EC.

For product descriptions refer to:

- Type 33-7 Safety Excess Pressure Valve (SEV):
Mounting and Operating Instructions EB 2551-2

Referenced technical standards and/or specifications:

- VCI, VDMA, VGB: "Leitfaden Maschinenrichtlinie (2006/42/EG) – Bedeutung für Armaturen, Mai 2018" [German only]
- VCI, VDMA, VGB: "Zusatzdokument zum Leitfaden Maschinenrichtlinie (2006/42/EG) – Bedeutung für Armaturen vom Mai 2018" [German only], based on DIN EN ISO 12100:2011-03

Comment:

Information on residual risks of the machinery can be found in the mounting and operating instructions as well as in the referenced documents listed in the mounting and operating instructions.

Persons authorized to compile the technical file:

SAMSON AG, Weismüllerstraße 3, 60314 Frankfurt am Main, Germany
Frankfurt am Main, 19 August 2022

Norbert Tollas
Senior Vice President
Global Operations

Peter Scheermesser
Director
Product Maintenance & Engineered Products

Revision no. 00

15 Annex

15.1 Tightening torques

Table 15-1: *Tightening torque*

Component	Width across flats	Tightening torque in Nm
Set point adjuster (9)	SW 17	–
Strainer stopper (13)	SW 19	22
Control line connection (10, 11, 12)	–	22

15.2 Lubricant

SAMSON's After-sales Service can support you concerning lubricants and sealants approved by SAMSON.

15.3 Tools

SAMSON's After-sales Service can support you concerning tools approved by SAMSON.

15.4 Accessories

Table 15-2: *Accessories (with item number)*

For pilot valve (8)	Item number
Filter (42)	0550-0751
Seal (50)	8413-1569

15.5 Spare parts

No spare parts are available for the Type 33-7 Safety Excess Pressure Valve.


15.6 After-sales service

Contact SAMSON's After-sales Service for support concerning service or repair work or when malfunctions or defects arise.

E-mail address

You can reach our after-sales service at aftersalesservice@samsongroup.com.

Addresses of SAMSON AG and its subsidiaries

The addresses of SAMSON, its subsidiaries, representatives and service facilities worldwide can be found on our website ( www.samsongroup.com) or in all SAMSON product catalogs.

Required specifications

Please submit the following details:

- Device type and valve size
- Valve balanced by a bellows or diaphragm
- Model number or material number
- Upstream and downstream pressure
- Temperature and process medium
- Min. and max. flow rate in m³/h
- Is a strainer installed?
- Installation drawing showing the exact location of the regulator and all the additionally installed components (shut-off valves, pressure gauge etc.)

EB 2551-2 EN



SAMSON AKTIENGESELLSCHAFT
Weismüllerstraße 3 · 60314 Frankfurt am Main, Germany
Phone: +49 69 4009-0 · Fax: +49 69 4009-1507
samson@samsongroup.com · www.samsongroup.com